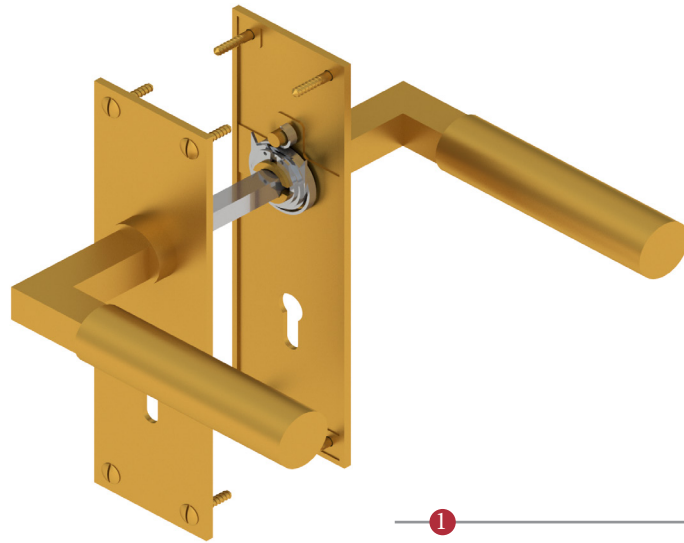
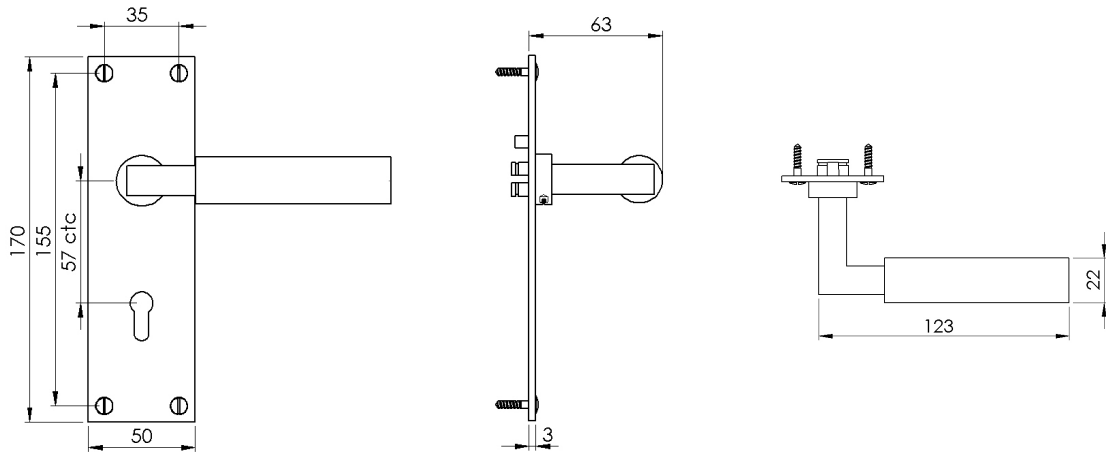


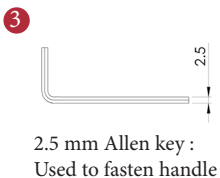
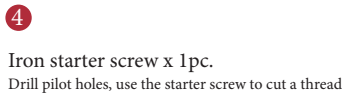
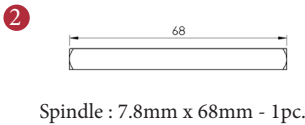
LEVER LOCK HANDLE



1 INSIDE / OUTSIDE VIEW



This lock handle is suitable for use with most U.K. lever sashlocks with a 57mm CTC.
 For a new interior door installation we would recommend using our York 3 lever sashlock from the List Below. Please select the size and finish required



3 LEVER SASHLOCK
 (not Included, must be ordered separately)

YKSL2-AT	2½" Antique Finish
YKSL2-BLK	2½" Black Finish
YKSL2-MB	2½" Matt Bronze Finish
YKSL2-PB	2½" Brass Finish
YKSL2-PC&PN	2½" Polished Chrome & Nickel Finish
YKSL2-SB	2½" Satin Brass Finish
YKSL2-SN&SC	2½" Satin Nickel & Chrome Finish
YKSL3-AT	3" Antique Finish
YKSL3-BLK	3" Black finish
YKSL3-MB	3" Matt Bronze Finish
YKSL3-PB	3" Brass Finish
YKSL3-PC&PN	3" Polished Chrome & Nickel Finish
YKSL3-SB	3" Satin Brass Finish
YKSL3-SN&SC	3" Satin Nickel & Chrome Finish

Box Contains	1 Pair of lever handles	2 1x 68mm spindle suitable for 35mm & 45 mm thick door	3 1x Allen Key	4 1x Iron screw	5 8x Brass wood screws
--------------	-------------------------	--	----------------	-----------------	------------------------


M Marcus Ltd., Dudley

Material	Date	Product Code	Description	Sizes shown are in mm and approximate. We reserve the right to amend where necessary and without any prior notice.
Solid Forged Brass	7 March 2017	BAU7300	Bauhaus low profile lever lock	