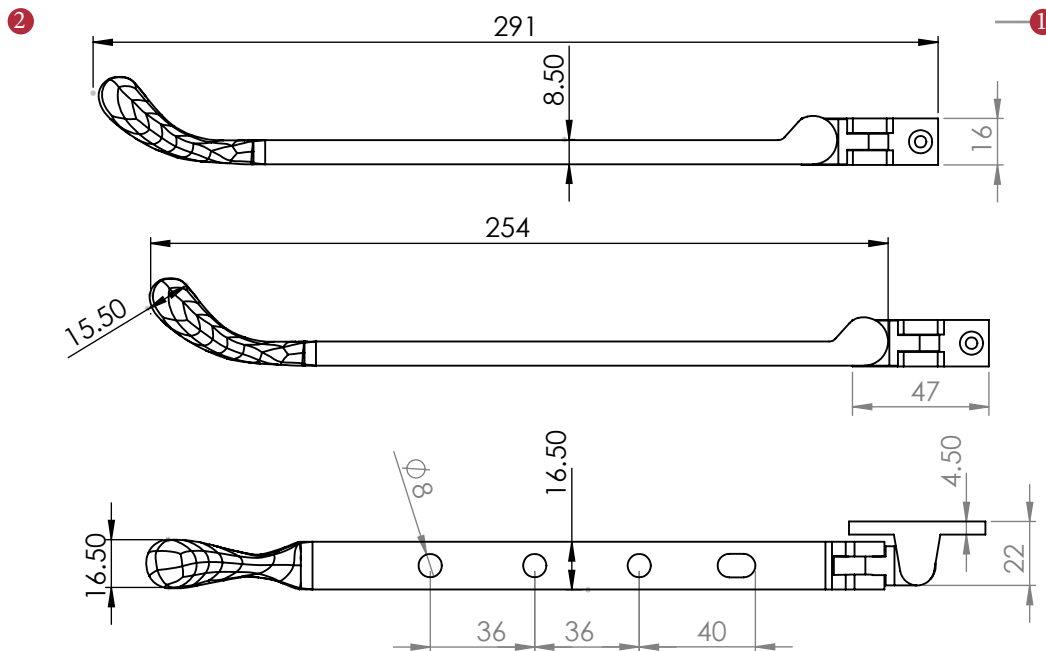
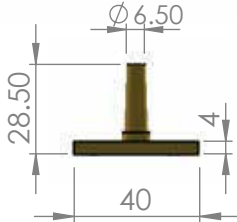


V992 10" BALL CASEMENT STAY



② Dimensions: see the outlines given above



FINISHES

- ME Matt Bronze finish
- SB Satin Brass finish
- PN Polished Nickel finish
- SN Satin Nickel finish
- AT Antique Brass finish
- SC Satin Chrome finish
- PE Polished Brass finish
- PC Polished Chrome finish
- BK Matt Black finish

Available in unlacquered Brass (ULB)

Overview	① Ball Casement Stay illustrated	② General Dimensions of Ball Casement Stay	③ Supplied with: 6x 25mm brass screws 1x Steel pilot screw
----------	----------------------------------	--	--

M Marcus Ltd., Dudley

Product Code	Material	Sizes shown are in mm and approximate. We reserve the right to amend where necessary and without any prior notice.
V992 10"	Solid Brass	