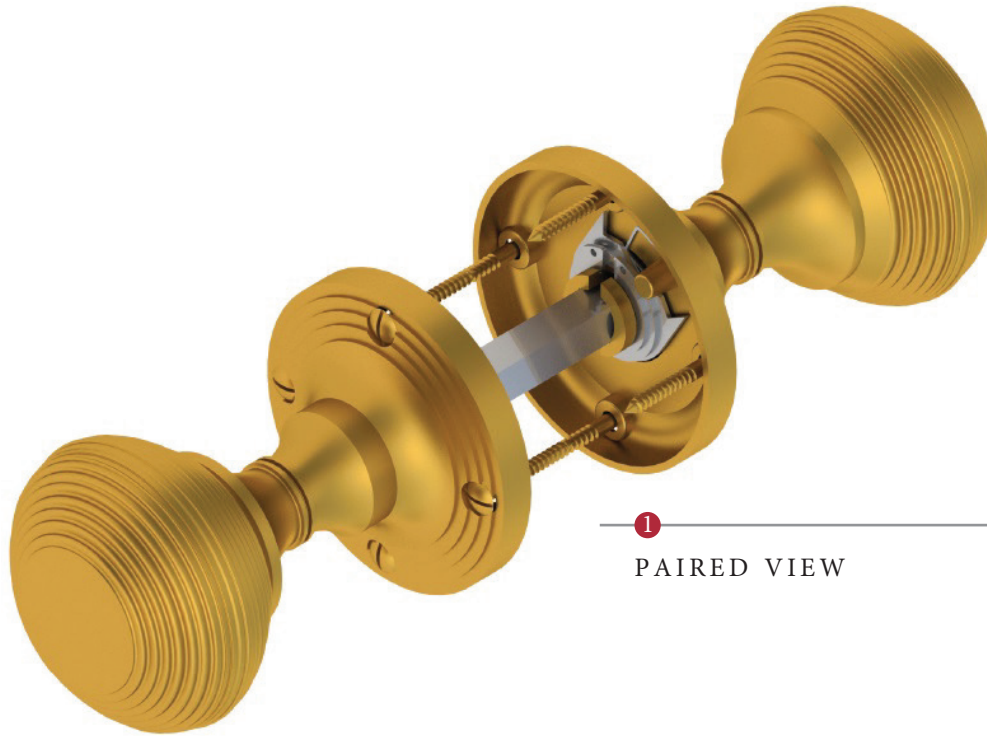
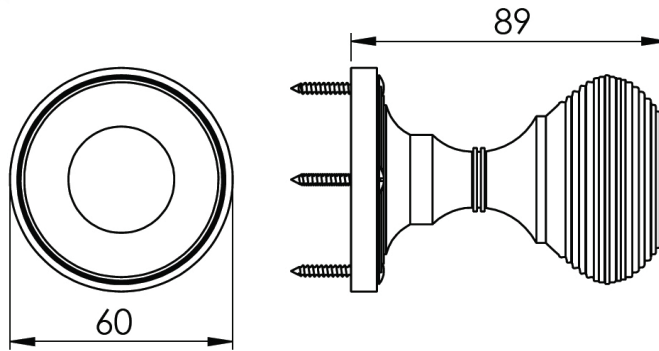


REEDED MORTICE KNOB SPRUNG ON ONE SIDE



1
PAIRED VIEW



This mortice knob is suitable for use with most U.K. tubular latches.
For a new interior door installation we would recommend using our York standard tubular latch from the list below.

2
85
Spindle : 7.8mm x 85mm - 1pc.

90
Spindle : 7.8mm x 90mm - 1pc.

3
Iron starter screw x 1pc.
Drill pilot holes, use the starter screw to cut a thread

4
8x Brass wood Screws
Fasten the Brass Screws into the Pilot holes

TUBULAR LATCH
(not included, must be ordered separately)

YKTL3-AT	3" Antique Finish
YKTL3-BLK	3" Black Finish
YKTL3-MB	3" Matt Bronze Finish
YKTL3-PB	3" Brass Finish
YKTL3-PC&PN	3" Polished Chrome & Nickel Finish
YKTL3-SB	3" Satin Brass Finish
YKTL3-SN&SC	3" Satin Nickel & Chrome Finish

Box Contains	1 Pair of mortice knobs	2 2x spindle suitable for 35mm & 44mm thick door	3 1x Iron screw	4 8x Brass wood screw
-----------------	-------------------------------	--	-----------------------	-----------------------------

 **M Marcus Ltd., Dudley**

Product Code	Material	Available in all Heritage Brass finishes.	Sizes shown are in mm and approximate. We reserve the right to amend where necessary and without any prior notice.
V971	Solid Brass		