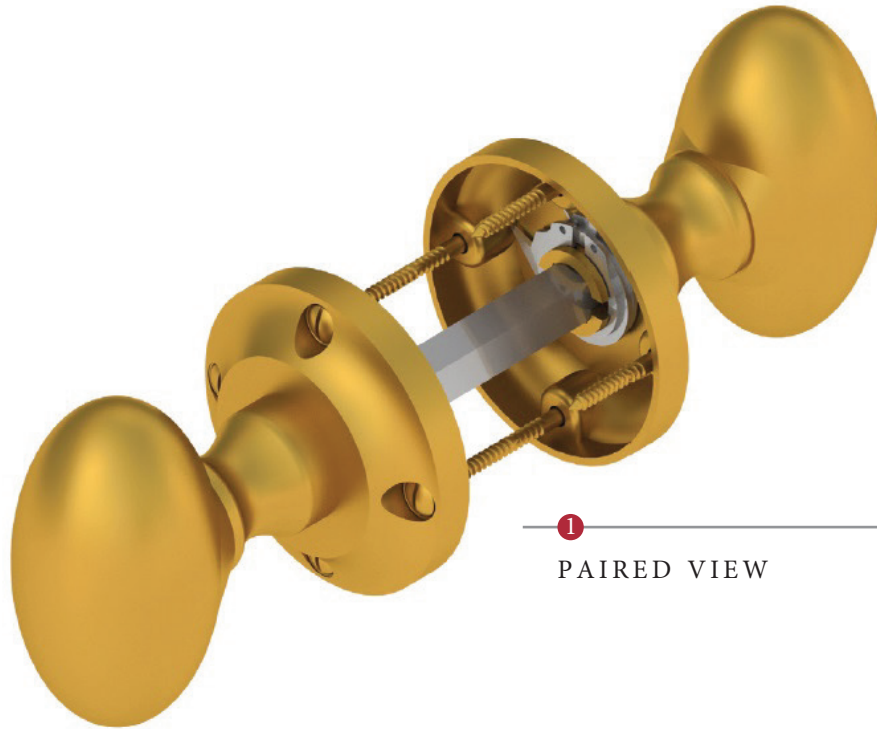
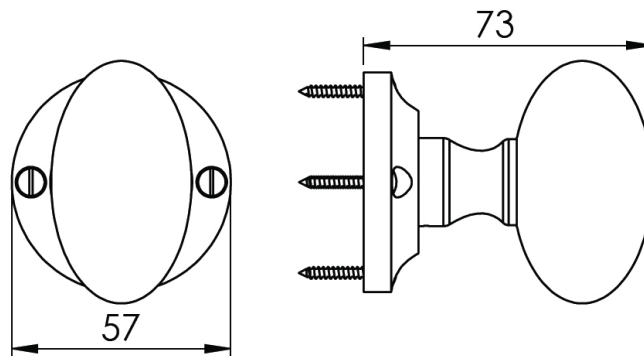


SUFFOLK MORTICE KNOB SPRUNG ON ONE SIDE



1
PAIRED VIEW

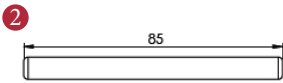


This mortice knob is suitable for use with most U.K. tubular latches.
For a new interior door installation we would recommend using our York standard tubular latch from the list below.

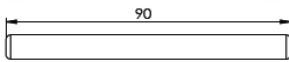
TUBULAR LATCH

(not Included, must be ordered seperately)

- YKTL3-AT 3" Antique Finish
- YKTL3-BLK 3" Black Finish
- YKTL3-MB 3" Matt Bronze Finish
- YKTL3-PB 3" Brass Finish
- YKTL3-PC&PN 3" Polished Chrome & Nickel Finish
- YKTL3-SB 3" Satin Brass Finish
- YKTL3-SN&SC 3" Satin Nickel & Chrome Finish



Spindle : 7.8mm x 85mm - 1pc.



Spindle : 7.8mm x 90mm - 1pc.



Iron starter screw x 1pc.
Drill pilot holes, use the starter screw to cut a thread



8x Brass wood Screws
Fasten the Brass Screws into the Pilot holes

Box Contains

- 1 Pair of mortice knobs
- 2 2x spindle suitable for 35mm & 44mm thick door
- 3 1x Iron screw
- 4 8x Brass wood screw

M Marcus Ltd., Dudley

Product Code	Material	Available in all Heritage Brass finishes.	Sizes shown are in mm and approximate. We reserve the right to amend where necessary and without any prior notice.
V960	Solid Brass		