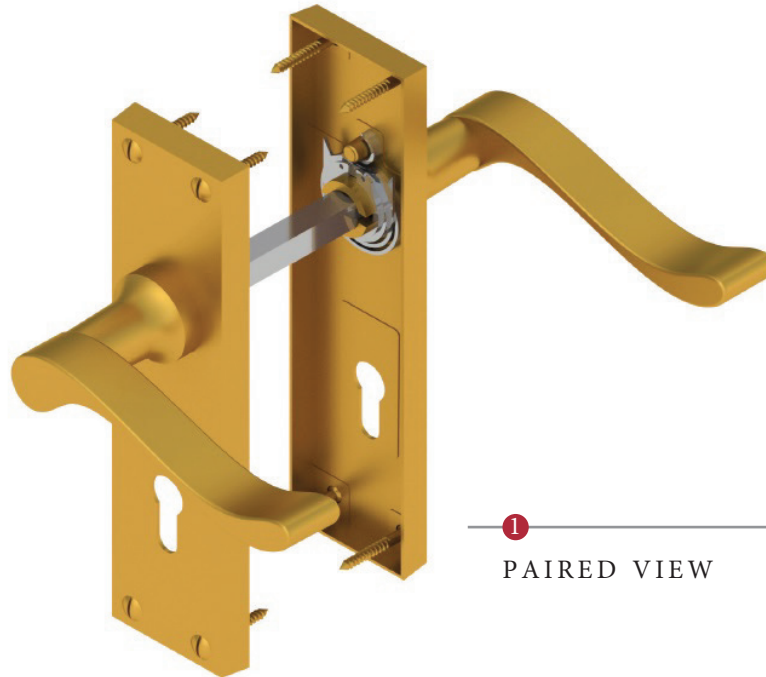
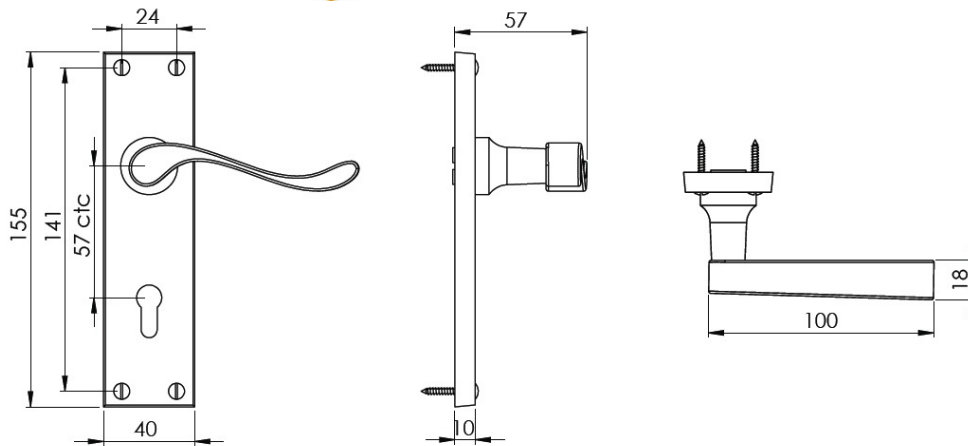


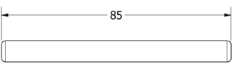


BEDFORD LEVER LOCK HANDLE



1
PAIRED VIEW



This lock handle is suitable for use with most U.K. sashlocks with 57mm CTC.
For a new interior door installation we would recommend using our York 3 lever sashlock from the list below.

- 2  Spindle : 7.8mm x 85mm - 1pc.
- 3  Iron starter screw x 1pc.
Drill pilot holes, use the starter screw to cut a thread
- 4  8x Brass wood screws
Fasten the brass screw into the pilot hole

3 LEVER SASHLOCK
(not Included, must be ordered seperately)

| | |
|-------------|--|
| YKSL2-AT | 2 1/2" Antique Finish |
| YKSL2-BLK | 2 1/2" Black Finish |
| YKSL2-MB | 2 1/2" Matt Bronze Finish |
| YKSL2-PB | 2 1/2" Brass Finish |
| YKSL2-PC&PN | 2 1/2" Polished Chrome & Nickel Finish |
| YKSL2-SB | 2 1/2" Satin Brass Finish |
| YKSL2-SN&SC | 2 1/2" Satin Nickel & Chrome Finish |
| YKSL3-AT | 3" Antique Finish |
| YKSL3-BLK | 3" Black Finish |
| YKSL3-MB | 3" Matt Bronze Finish |
| YKSL3-PB | 3" Brass Finish |
| YKSL3-PC&PN | 3" Polished Chrome & Nickel Finish |
| YKSL3-SB | 3" Satin Brass Finish |
| YKSL3-SN&SC | 3" Satin Nickel & Chrome Finish |

| | | | | |
|-----------------|-----------------------|---|---------------|----------------------|
| Box Contains | 1 | 2 | 3 | 4 |
| | Pair of lever handles | 1x 85mm spindle suitable for 35mm & 45mm thick door | 1x Iron screw | 8x Brass wood screws |


M Marcus Ltd., Dudley

| | | | |
|--------------|-------------|---|---|
| Product Code | Material | Available in all Heritage Brass finishes. | Sizes shown are in mm and approximate. We reserve the right to amend where necessary and without any prior notice. |
| V810 | Solid Brass | | |