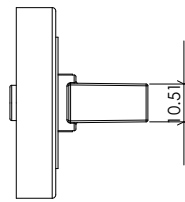
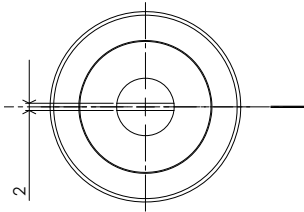
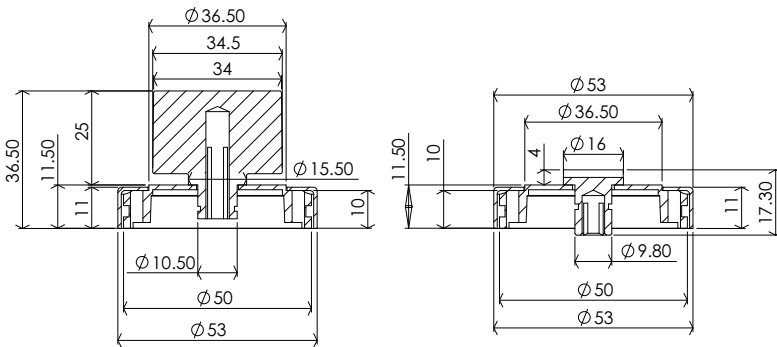


V4035 TURN & RELEASE



2

1



2

Dimensions:  
see the outlines given above

3



18mm



FITTING

- 1 Insert the required length of spindle through the lock or deadbolt
- 2 Holding the centre of the turn or release, lift off the outer ring, which reveals the screw fixing holes.
- 3 Take the slotted release button side, position on the outside of the door and push assembly onto the spindle end so the assembly is flush with the doors surface.
- 4 Making sure that the assembly is central, and the spindle is horizontal, mark the screw hole positions, make a pilot hole, and fix into place with woodscrews.
- 5 Repeat for the turn side on the inside of the door, make sure the spindle locates within the turn and test operation.
- 6 On some installations you may need to shorten the spindle slightly by cutting with a hacksaw to allow the turn assembly to sit flush on the door.

Overview

1

Turn & Release  
illustrated

2

General Dimensions  
of Turn & Release

3

Supplied with: 4x 18mm screws  
1x Spindle 5mm x 77mm  
1x Spindle 5mm x 65mm

  
M Marcus Ltd., Dudley

Product Code

V4035

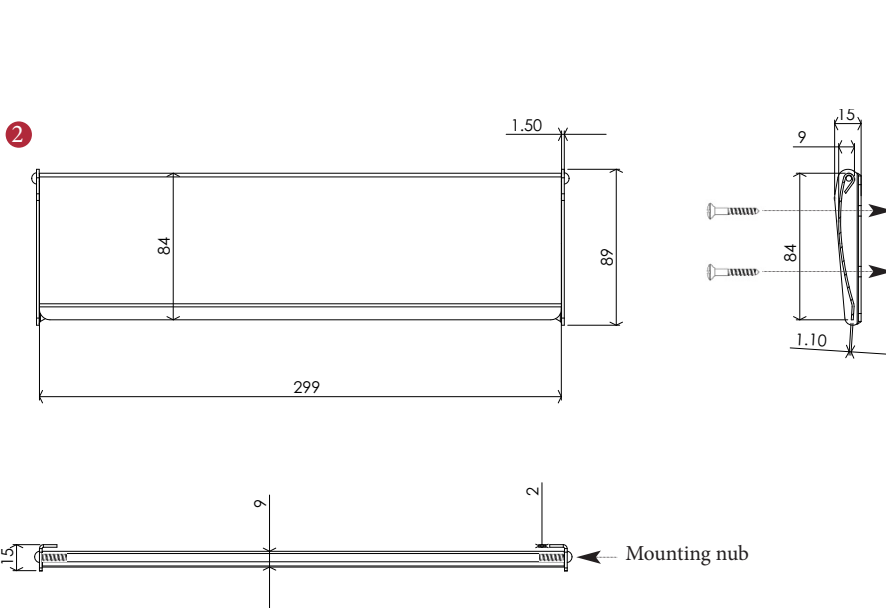
Material

Solid Brass

Available in all Heritage Brass finishes.

Sizes shown are in mm and approximate.  
We reserve the right to amend where  
necessary and without any prior notice.

V860 299 INTERIOR LETTERFLAP



1

2

2 Dimensions: see the outlines given above

3

 12.5mm

FITTING

- 1 Position Letterflap over aperture in door to determine the optimum position for fixing.
- 2 Having determined Letterflap position, mark out where screws will be affixed through the two [left-side/right-side] brackets (as illustrated above), and secure the first bracket in place, ensuring that the mounting nub is uppermost and facing inward (towards the aperture to be covered).
- 3 Slide the Letterflap onto the mounting nub of the now affixed bracket, and then slide the second bracket onto the other other end of the Letterflap, and now affix that bracket where you have previously marked to secure the Letterflap firmly in place. Test.

Overview

1

Interior Letterflap illustrated

2

General Dimensions of Interior Letterflap

3

Supplied with: 4x 12.5mm screw

  
M Marcus Ltd., Dudley

Product Code

V860 299

Material

Solid Brass

Available in all Heritage Brass finishes.

Sizes shown are in mm and approximate. We reserve the right to amend where necessary and without any prior notice.