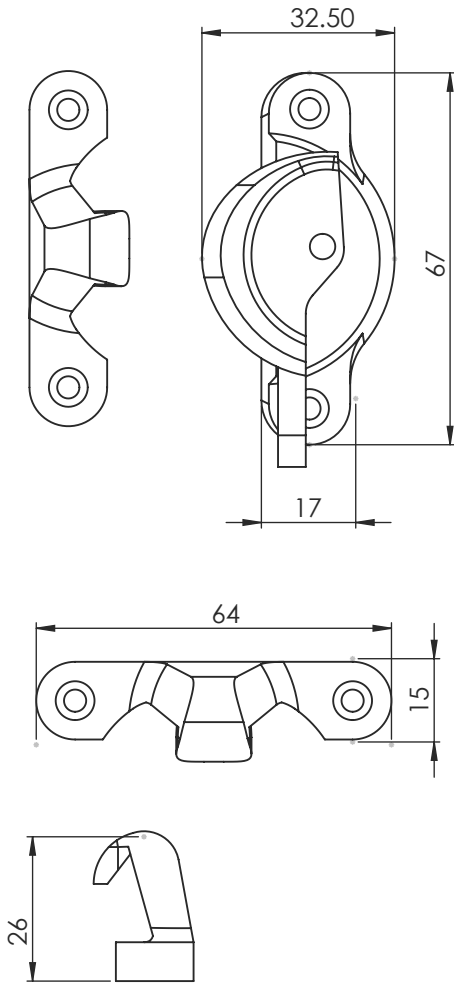


V2060 FITCH PATTERN SASH FASTENER

2



1

2

Dimensions:
see the outlines given above

3



19mm



Steel pilot screw

FINISHES

-  Matt Bronze finish
-  Satin Brass finish
-  Polished Nickel finish
-  Satin Nickel finish
-  Antique Brass finish
-  Satin Chrome finish
-  Polished Brass finish
-  Polished Chrome finish

Also available in unlacquered Brass (ULB)

Overview

1

Fitch Pattern Sash
Fastener
illustrated

2

General Dimensions
of Fitch Pattern Sash
Fastener

3

Supplied with:
4 x 19mm brass screws
1x Steel pilot screw

M Marcus Ltd., Dudley

Product Code

V2060

Material

Solid Brass

Sizes shown are in mm and approximate. We reserve the right to amend where necessary and without any prior notice.