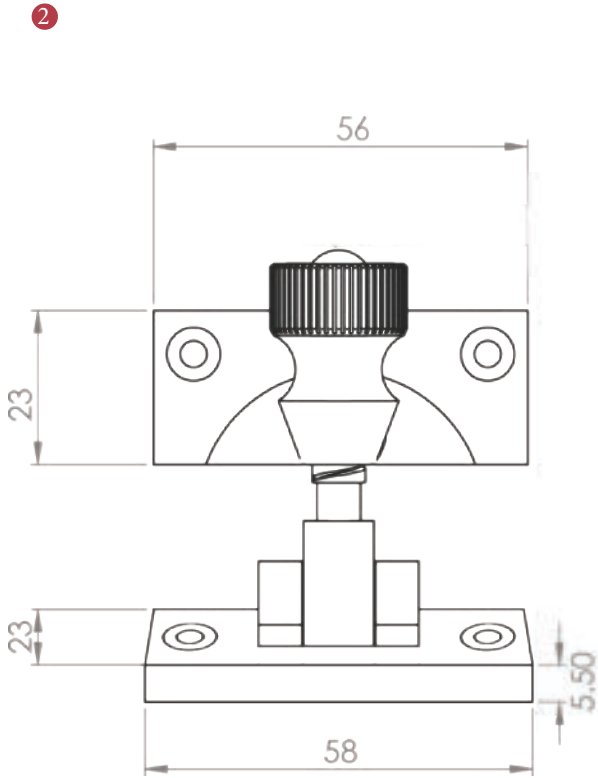
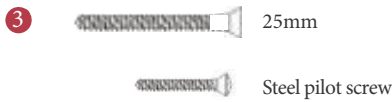


V2055 BRIGHTON SASH FASTENER



② Dimensions:
see the outlines given above



FINISHES

- ME Matt Bronze finish
- SB Satin Brass finish
- PN Polished Nickel finish
- SN Satin Nickel finish
- AT Antique Brass finish
- SC Satin Chrome finish
- PB Polished Brass finish
- PC Polished Chrome finish

| | | | |
|----------|--------------------------------------|--|---|
| Overview | ① Brighton Sash Fastener illustrated | ② General Dimensions of Brighton Sash Fastener | ③ Supplied with: 4 x 25mm brass screws 1x Steel pilot screw |
|----------|--------------------------------------|--|---|

 M Marcus Ltd., Dudley

| | | | |
|--------------|-------------|---|--|
| Product Code | Material | Available in all Heritage Brass finishes. | Sizes shown are in mm and approximate. We reserve the right to amend where necessary and without any prior notice. |
| V2055 | Solid Brass | | |