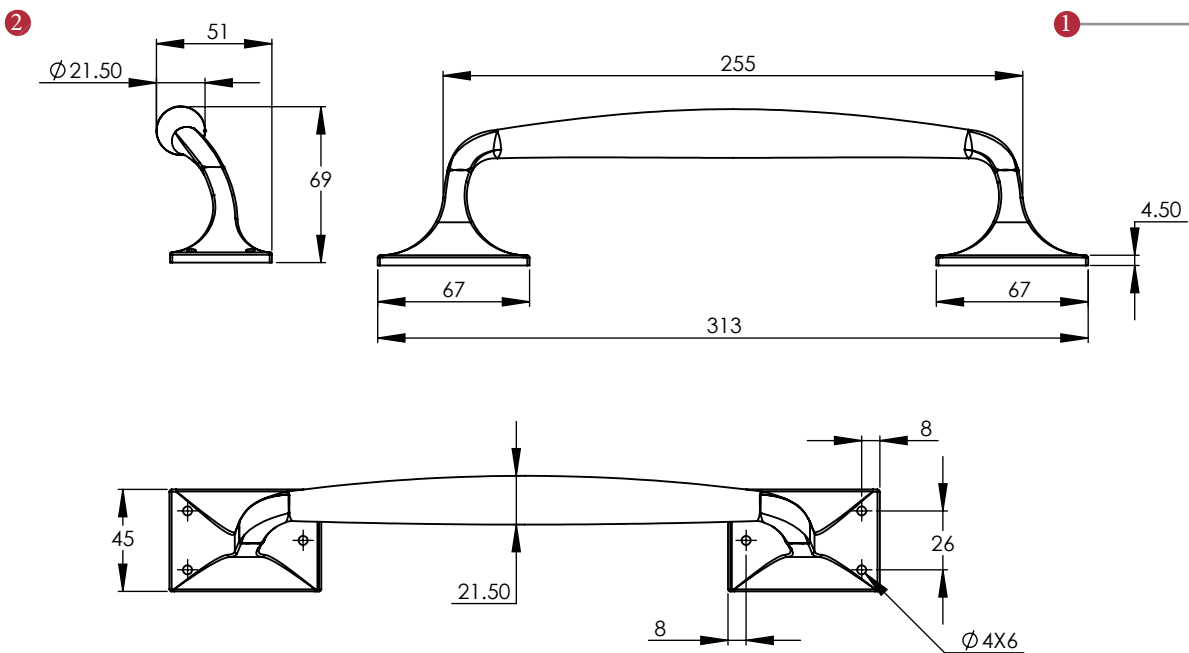



V1150 310 CRANKED PULL HANDLE



② Dimensions:
see the outlines given above

③  6 x Brass Screws
Steel pilot screw

FINISHES

-  Matt Bronze finish
-  Satin Brass finish
-  Satin Nickel finish
-  Antique Brass finish
-  Polished Brass finish
-  Polished Chrome finish

Overview

① Cranked Pull handle illustrated

② (General dimensions of pull handle)

③ Supplied with:
6 x 25mm [1"] Brass Screws
1x Steel pilot screw


M Marcus Ltd., Dudley

Product Code

V1150 310

Material

Solid Brass

Sizes shown are in mm and approximate. We reserve the right to amend where necessary and without any prior notice.