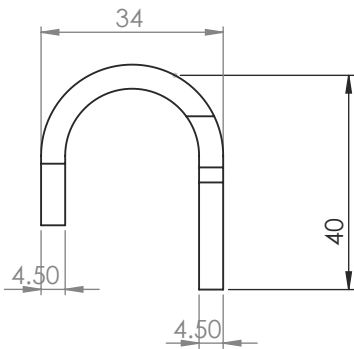
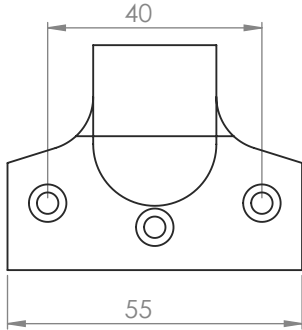


V1110 SASH LIFT

2



1

2

Dimensions:
see the outlines given above

3



19mm



Steel pilot screw

FINISHES

- ME** Matt Bronze finish
 - SB** Satin Brass finish
 - PN** Polished Nickel finish
 - SN** Satin Nickel finish
 - AT** Antique Brass finish
 - SC** Satin Chrome finish
 - PE** Polished Brass finish
 - PC** Polished Chrome finish
 - BK** Matt Black finish
- Also available in Unlacquered Brass (ULB)*

Overview

1

Sash Lift
illustrated

2

General Dimensions
of Sash Lift

3

Supplied with:
3 x 19mm brass screws
1x Steel pilot screw


M Marcus Ltd., Dudley

Product Code

V1110

Material

Solid Brass

Sizes shown are in mm and approximate. We reserve the right to amend where necessary and without any prior notice.