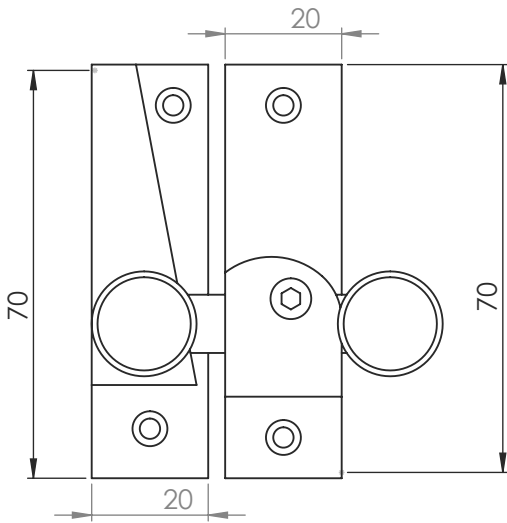
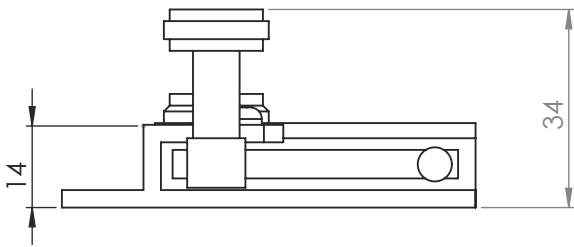


V1106L HOOK PLATE SASH FASTENER (LOCKABLE)

2



1



2 Dimensions: see the outlines given above

3



19mm



Steel pilot screw

2.5



Overview

1

Hook Plate Sash Fastener (Lockable) illustrated

2

General Dimensions of Hook Plate Sash Fastener

3

Supplied with: 1x Allen Key  
4 x 19mm brass screws  
1x Steel pilot screw

FINISHES

- ME Matt Bronze finish
  - SB Satin Brass finish
  - PN Polished Nickel finish
  - SN Satin Nickel finish
  - AT Antique Brass finish
  - SC Satin Chrome finish
  - PE Polished Brass finish
  - PC Polished Chrome finish
  - BK Matt Black finish
- Also available in unlacquered Brass (ULB)

M Marcus Ltd., Dudley

Product Code

V1106L

Material

Solid Brass

Sizes shown are in mm and approximate. We reserve the right to amend where necessary and without any prior notice.