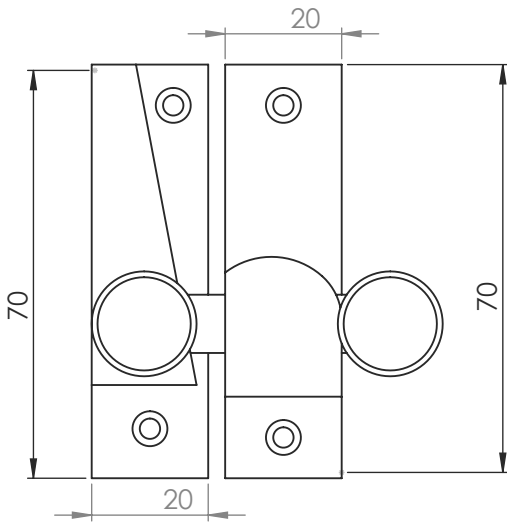
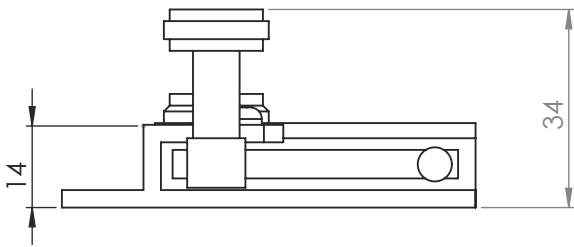


V1106 HOOK PLATE SASH FASTENER

2



1



2 Dimensions: see the outlines given above

3



19mm



Steel pilot screw

FINISHES

- ME Matt Bronze finish
 - SB Satin Brass finish
 - PN Polished Nickel finish
 - SN Satin Nickel finish
 - AT Antique Brass finish
 - SC Satin Chrome finish
 - PB Polished Brass finish
 - PC Polished Chrome finish
 - BK Matt Black finish
- Also available in unlacquered Brass (ULB)*

Overview

1 Hook Plate Sash Fastener illustrated

2 General Dimensions of Hook Plate Sash Fastener

3 Supplied with:
4 x 19mm brass screws
1x Steel pilot screw

M Marcus Ltd., Dudley

Product Code

V1106

Material

Solid Brass

Sizes shown are in mm and approximate. We reserve the right to amend where necessary and without any prior notice.