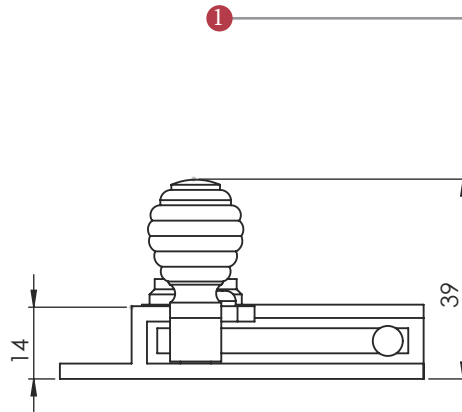
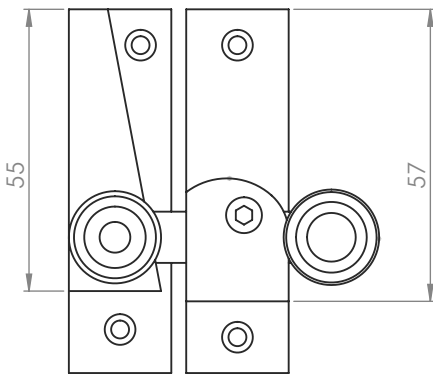
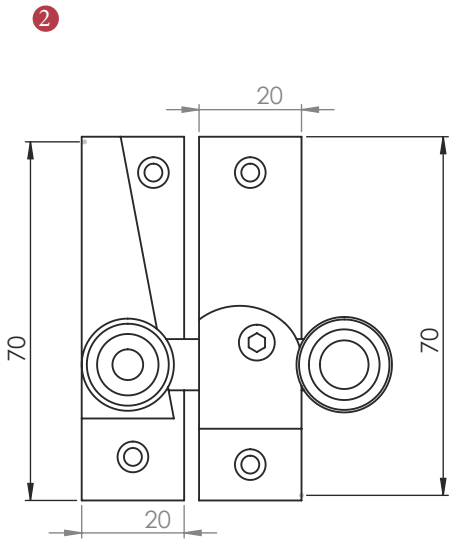
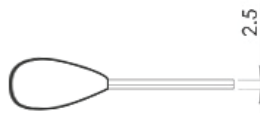
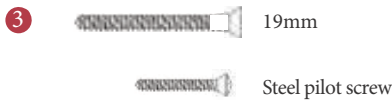


V1104L HOOK PLATE SASH FASTENER [LOCKABLE]



2 Dimensions: see the outlines given above



FINISHES

- MB Matt Bronze finish
  - SB Satin Brass finish
  - PN Polished Nickel finish
  - SN Satin Nickel finish
  - AT Antique Brass finish
  - SC Satin Chrome finish
  - PB Polished Brass finish
  - PC Polished Chrome finish
- Also available in unlacquered Brass (ULB)

Overview

- 1 Hook Plate Sash Fastener (Lockable) illustrated
- 2 General Dimensions of Hook Plate Sash Fastener
- 3 Supplied with: 4 x 19mm brass screws & 1x Steel 1x Allen Key

M Marcus Ltd., Dudley

Product Code

V1104L

Material

Solid Brass

Sizes shown are in mm and approximate. We reserve the right to amend where necessary and without any prior notice.