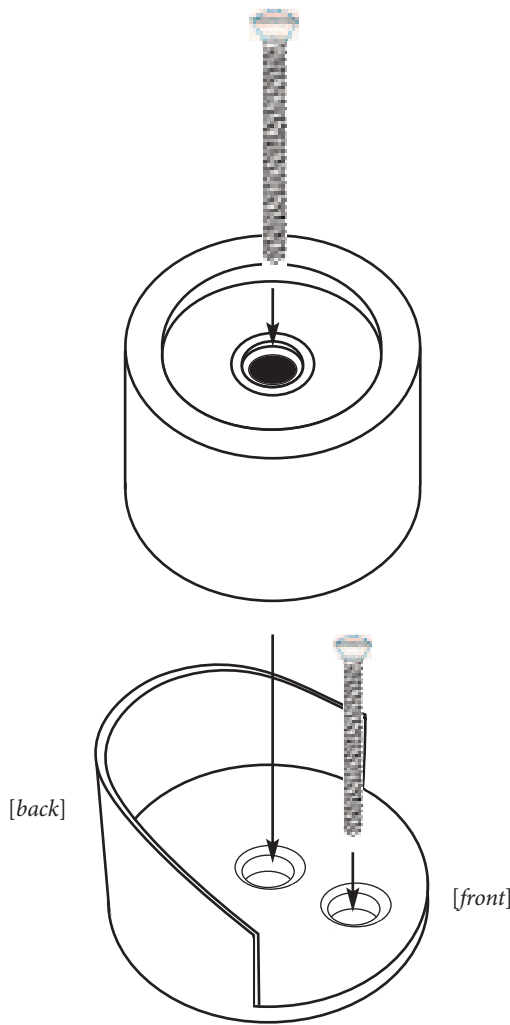


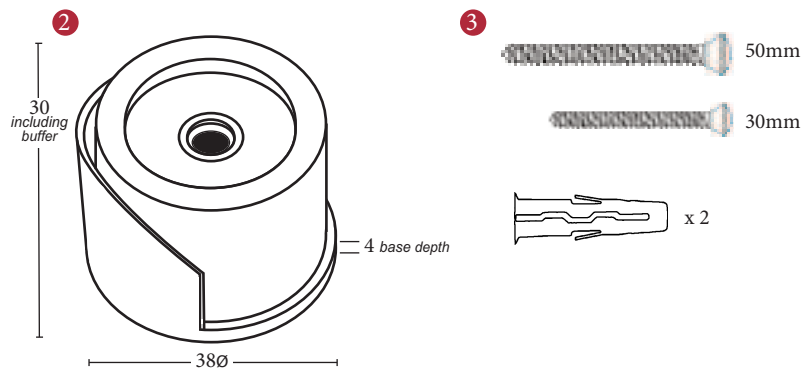
V1088 FLOOR MOUNTED DOOR STOP



Buffer

Base

1



FITTING Floor Mounted

- 1 Position base part behind door at a point more than half way along from the hinged edge and determine where to drill fixing holes as desired, ensuring that the [front] is facing outwards, that being towards the back of the opened door
- 2 Mark out holes for the two fixings (note: plastic plugs are provided for where floors are concrete)
- 3 Affix the base part through the [front] base hole using the 30mm multi-purpose screw as above illustrated.
- 4 Affix the buffer part through the centre hole and correspondingly through the centre hole of the base part using the 50mm multi-purpose screw as above illustrated.
- 5 Test

Overview

- | | | |
|---------------------------------------|------------------------------------|---|
| ① Floor Mounted Door Stop illustrated | ② (General dimensions of assembly) | ③ Supplied with:
2 x plastic rawplug
1 x 50mm multi-purpose screw
1 x 30mm multi-purpose screw |
|---------------------------------------|------------------------------------|---|

 M Marcus Ltd., Dudley

Product Code

V1088

Material

Solid Brass

Available in all Heritage Brass finishes.

Sizes shown are in mm and approximate. We reserve the right to amend where necessary and without any prior notice.