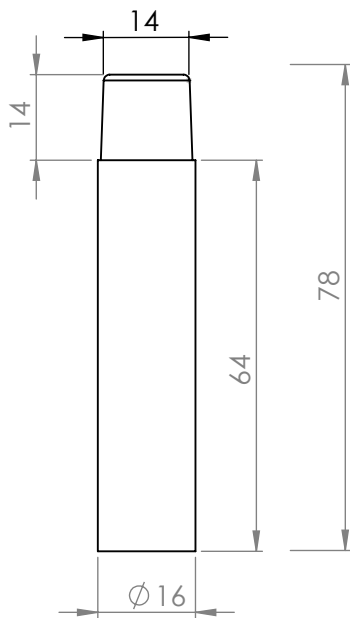


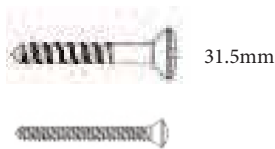
V1081 64 DOOR STOP



1

2 Dimensions: see the outlines given above

3



FINISHES

- ME Matt Bronze
- SE Satin Brass
- SN Satin Nickel
- AT Antique Brass
- SC Satin Chrome
- PN Polished Nickel
- PE Polished Brass
- PC Polished Chrome

Overview

1 Door Stop illustrated

2 (General dimensions of Door Stop)

3 Supplied with: 1 x wood screw 1x starter screw

M Marcus Ltd., Dudley

Product Code

V1081 64

Material

Solid Brass

Sizes shown are in mm and approximate. We reserve the right to amend where necessary and without any prior notice.