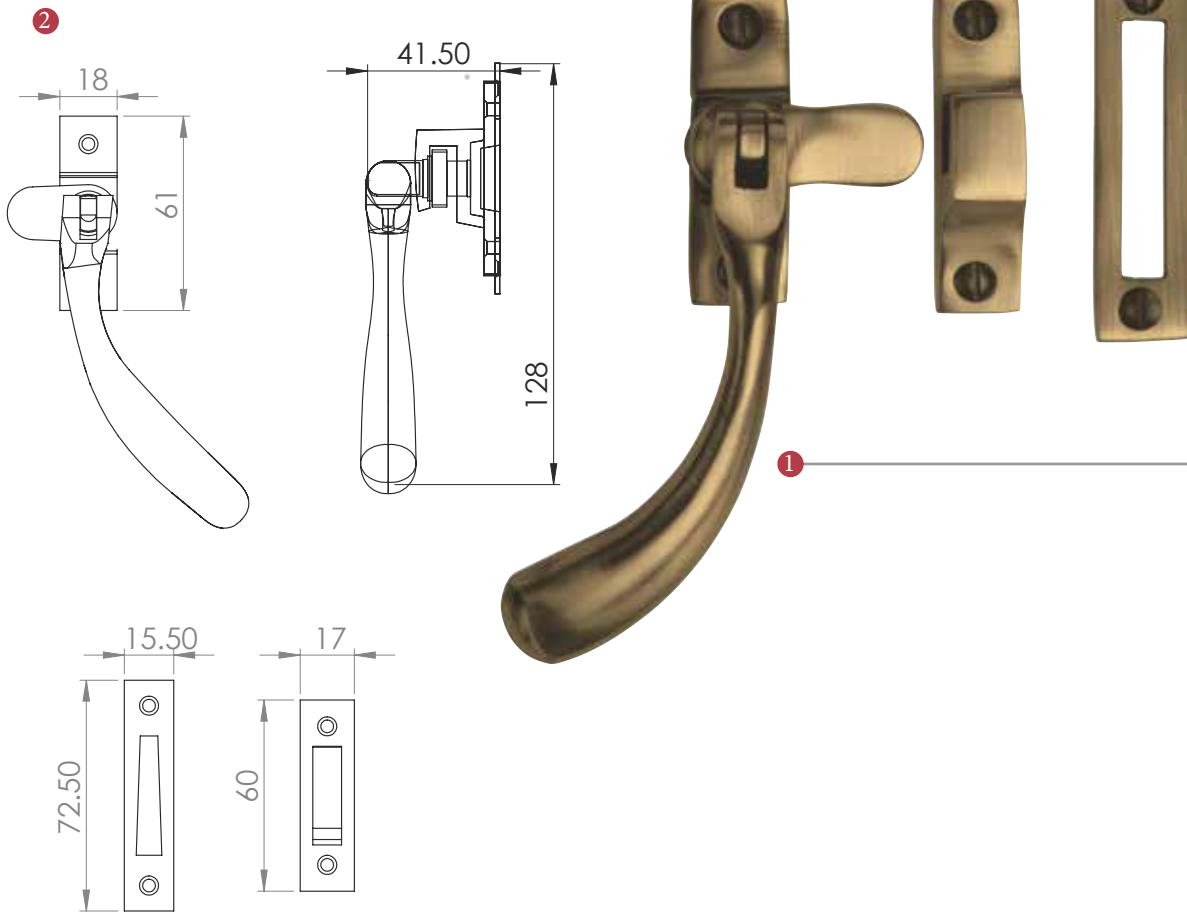


V1108 BALL CASEMENT FASTENER



2 Dimensions: see the outlines given above



FINISHES

-  Matt Bronze finish
 -  Satin Brass finish
 -  Polished Nickel finish
 -  Satin Nickel finish
 -  Antique Brass finish
 -  Satin Chrome finish
 -  Polished Brass finish
 -  Polished Chrome finish
 -  Matt Black finish
- Also available in unlacquered Brass (ULB)*

Overview

1 Ball Casement Fastener illustrated

2 General Dimensions of Ball Casement Fastener

3 Supplied with:
4x 19mm brass screws
1x Steel pilot screw


M Marcus Ltd., Dudley

Product Code

V1008

Material

Solid Brass

Sizes shown are in mm and approximate. We reserve the right to amend where necessary and without any prior notice.