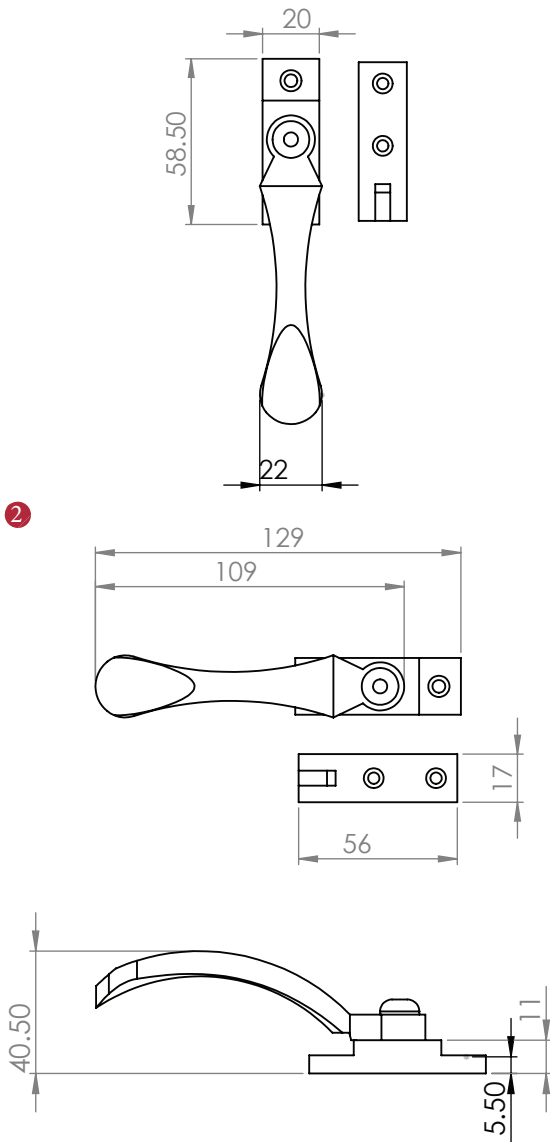
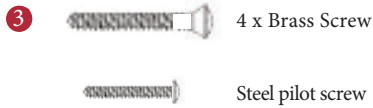


V1005 LOCKING CASEMENT STAY



② Dimensions:  
see the outlines given above



FINISHES

- PE Polished Brass finish
- PC Polished Chrome finish
- AT Antique Brass finish
- SC Satin Chrome finish
- SN Satin Nickel finish
- ME Matt Bronze finish
- SE Satin Brass finish
- PN Polished Nickel finish

Overview

- ① Locking casement fastener illustrated
- ② (General dimensions of casement fastener)
- ③ Supplied with: 1 x 2.5mm Allen Key  
4 x 25mm Brass Screws  
1 x Steel pilot screw

  
**M Marcus Ltd., Dudley**

Product Code

V1005

Material

Solid Brass

Sizes shown are in mm and approximate. We reserve the right to amend where necessary and without any prior notice.