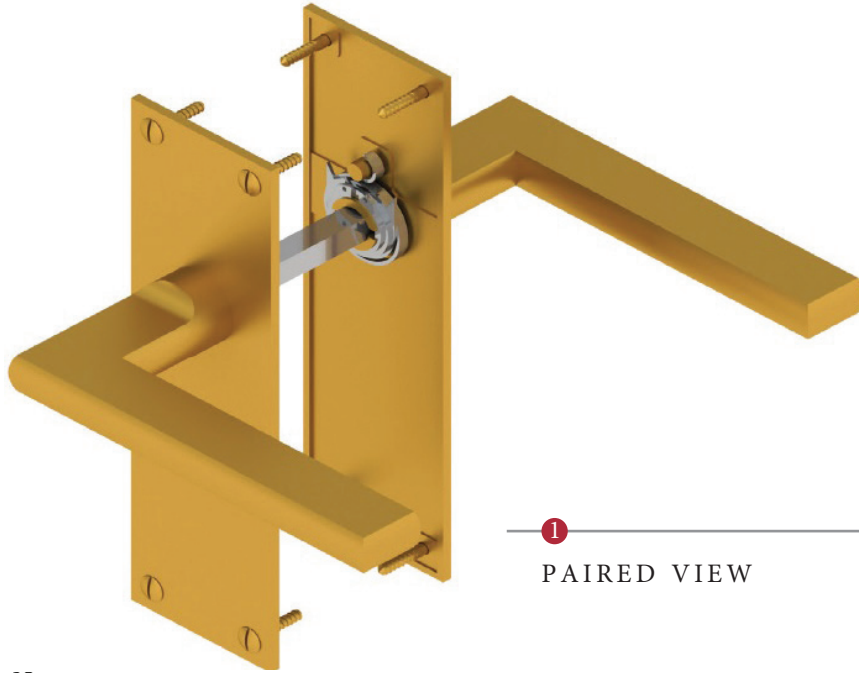
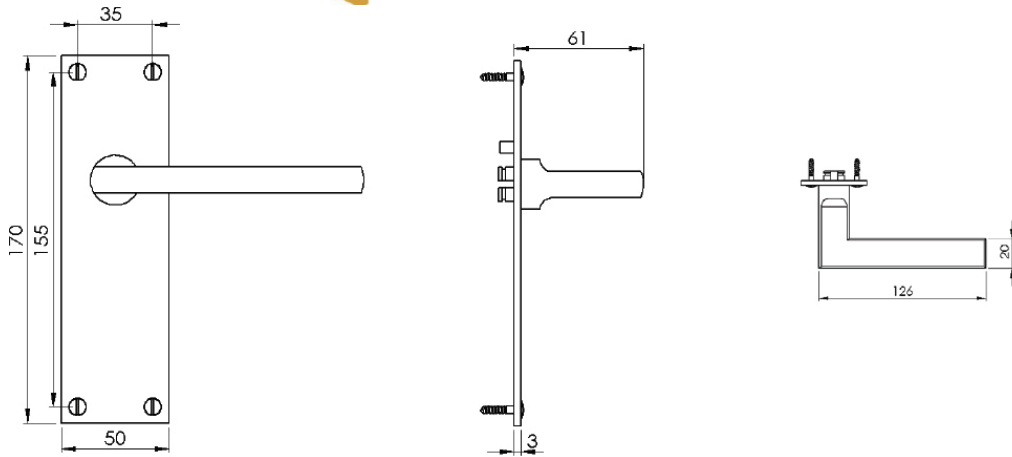


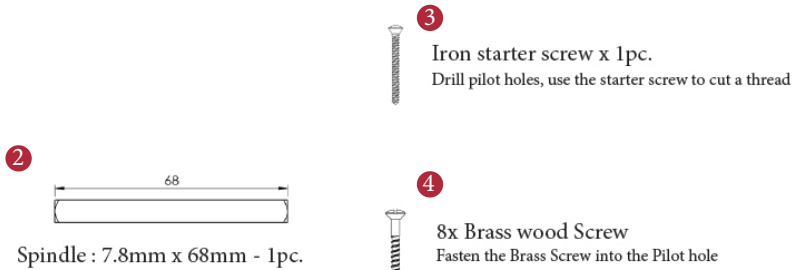
TRIDENT LEVER LATCH HANDLE



1  
PAIRED VIEW



This latch handle is suitable for use with most U.K. tubular latches.  
For a new door installation we would recommend using our York standard tubular latch from the list below.



TUBULAR LATCH  
(not Included, must be ordered seperately)

|             |  |
|-------------|--|
| YKTL2-AT    | 2 1/2" Antique Finish                  |
| YKTL2-BLK   | 2 1/2" Black Finish                    |
| YKTL2-MB    | 2 1/2" Matt Bronze Finish              |
| YKTL2-PB    | 2 1/2" Brass Finish                    |
| YKTL2-PC&PN | 2 1/2" Polished Chrome & Nickel Finish |
| YKTL2-SB    | 2 1/2" Satin Brass Finish              |
| YKTL2-SN&SC | 2 1/2" Satin Nickel & Chrome Finish    |
| YKTL3-AT    | 3" Antique Finish                      |
| YKTL3-BLK   | 3" Black Finish                        |
| YKTL3-MB    | 3" Matt Bronze Finish                  |
| YKTL3-PB    | 3" Brass Finish                        |
| YKTL3-PC&PN | 3" Polished Chrome & Nickel Finish     |
| YKTL3-SB    | 3" Satin Brass Finish                  |
| YKTL3-SN&SC | 3" Satin Nickel & Chrome Finish        |

|                 |                       |   |               |                         |
|-----------------|-----------------------|---|---------------|-------------------------|
| Box<br>Contains | 1                     | 2   | 3             | 4                       |
|                 | Pair of lever handles | 1x 68mm spindle<br>suitable for 35mm &<br>45mm thick door | 1x Iron screw | 8x Brass<br>wood screws |

M Marcus Ltd., Dudley

|              |             |   |  |
|--------------|-------------|---|--|
| Product Code | Material    | Available in all Heritage Brass finishes. | Sizes shown are in mm and approximate.<br>We reserve the right to amend where<br>necessary and without any prior notice. |
| TR11310      | Solid Brass |   |  |