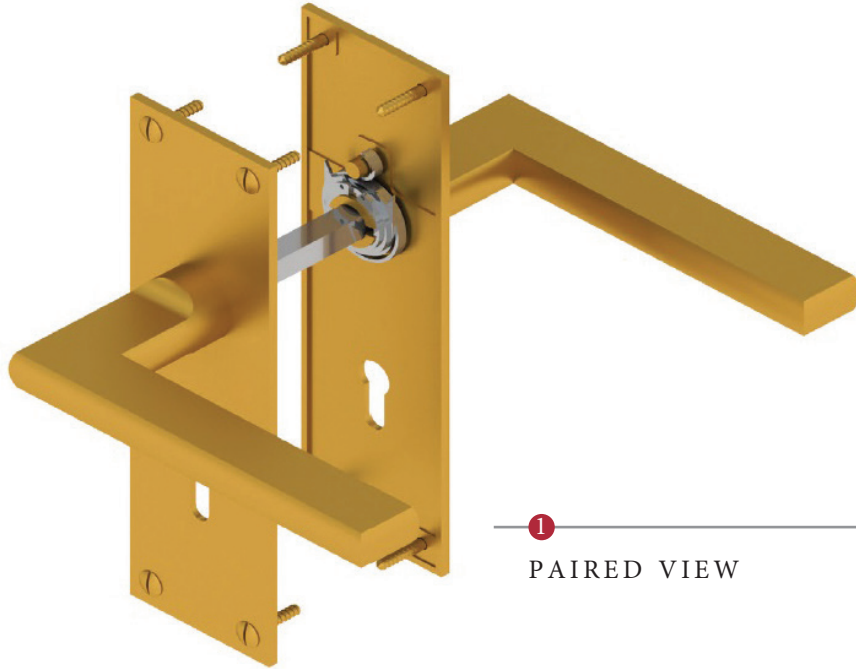
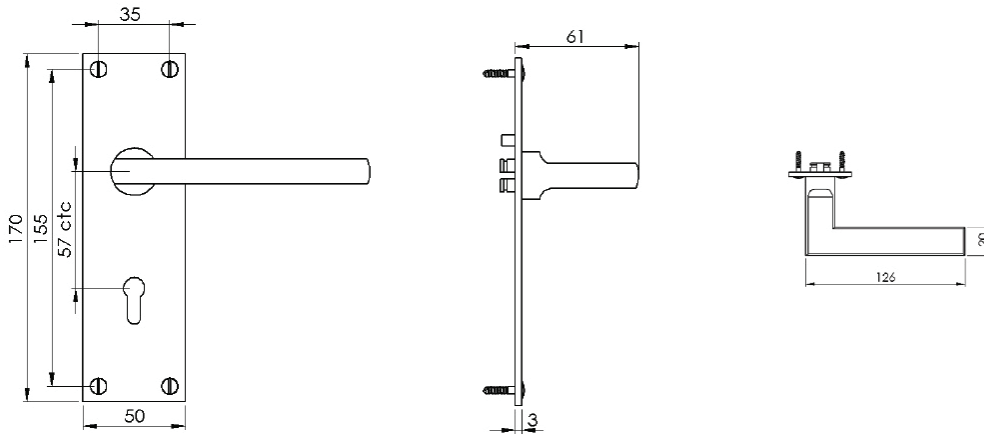


TRIDENT LEVER LOCK HANDLE



1  
PAIRED VIEW



This lock handle is suitable for use with most U.K. sashlocks with 57mm CTC.  
For a new interior door installation we would recommend using our York 3 lever sashlock from the list below.

3 LEVER SASHLOCK  
(not Included, must be ordered separately)

|             |  |
|-------------|--|
| YKSL2-AT    | 2 1/2" Antique Finish                  |
| YKSL2-BLK   | 2 1/2" Black Finish                    |
| YKSL2-MB    | 2 1/2" Matt Bronze Finish              |
| YKSL2-PB    | 2 1/2" Brass Finish                    |
| YKSL2-PC&PN | 2 1/2" Polished Chrome & Nickel Finish |
| YKSL2-SB    | 2 1/2" Satin Brass Finish              |
| YKSL2-SN&SC | 2 1/2" Satin Nickel & Chrome Finish    |
| YKSL3-AT    | 3" Antique Finish                      |
| YKSL3-BLK   | 3" Black Finish                        |
| YKSL3-MB    | 3" Matt Bronze Finish                  |
| YKSL3-PB    | 3" Brass Finish                        |
| YKSL3-PC&PN | 3" Polished Chrome & Nickel Finish     |
| YKSL3-SB    | 3" Satin Brass Finish                  |
| YKSL3-SN&SC | 3" Satin Nickel & Chrome Finish        |

3  
Iron starter screw x 1pc.  
Drill pilot holes, use the starter screw to cut a thread

4  
8x Brass wood Screw  
Fasten the Brass Screw into the Pilot hole

2  
Spindle : 7.8mm x 85mm - 1pc.

Box Contains

|                       |   |               |                      |
|-----------------------|---|---------------|----------------------|
| 1                     | 2   | 3             | 4                    |
| Pair of lever handles | 1x 85mm spindle suitable for 35mm & 45mm thick door | 1x Iron screw | 8x Brass wood screws |

M Marcus Ltd., Dudley

|              |             |   |  |
|--------------|-------------|---|--|
| Product Code | Material    | Available in all Heritage Brass finishes. | Sizes shown are in mm and approximate. We reserve the right to amend where necessary and without any prior notice. |
| TRI1300      | Solid Brass |   |  |