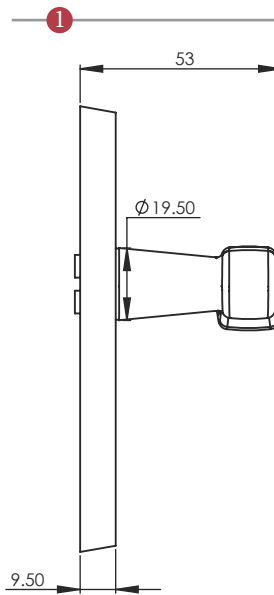
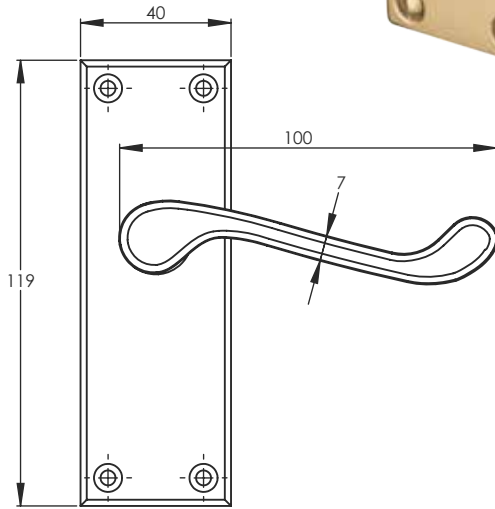
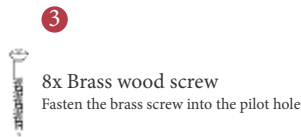
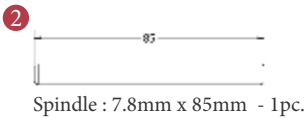


MALVERN SHORT LEVER LATCH HANDLE



This latch handle is suitable for use with most U.K. tubular latches.  
For a new door installation we would recommend using our York standard tubular latch from the list below.



FINISHES

- Satin Nickel
- Satin Chrome
- Polished Brass
- Polished Chrome

TUBULAR LATCH

(not Included, must be ordered separately)

- YKTL2N-AT 2½" Antique Finish
- YKTL2N-BLK 2½" Black Finish
- YKTL2N-MB 2½" Matt Bronze Finish
- YKTL2N-PB 2½" Brass Finish
- YKTL2N-PC&PN 2½" Polished Chrome & Nickel Finish
- YKTL2N-SB 2½" Satin Brass Finish
- YKTL2N-SN&SC 2½" Satin Nickel & Chrome Finish
- YKTL3N-AT 3" Antique Finish
- YKTL3N-BLK 3" Black Finish
- YKTL3N-MB 3" Matt Bronze Finish
- YKTL3N-PB 3" Brass Finish
- YKTL3N-PC&PN 3" Polished Chrome & Nickel Finish
- YKTL3N-SB 3" Satin Brass Finish
- YKTL3N-SN&SC 3" Satin Nickel & Chrome Finish

Box Contains

- ① Lever handle illustrated
- ② 1x spindle suitable for 35mm & 44 mm thick door
- ③ 8 x Wood screws

M Marcus Ltd., Dudley

Product Code

PR610

Material

Solid Brass

Sizes shown are in mm and approximate.  
We reserve the right to amend where necessary and without any prior notice.