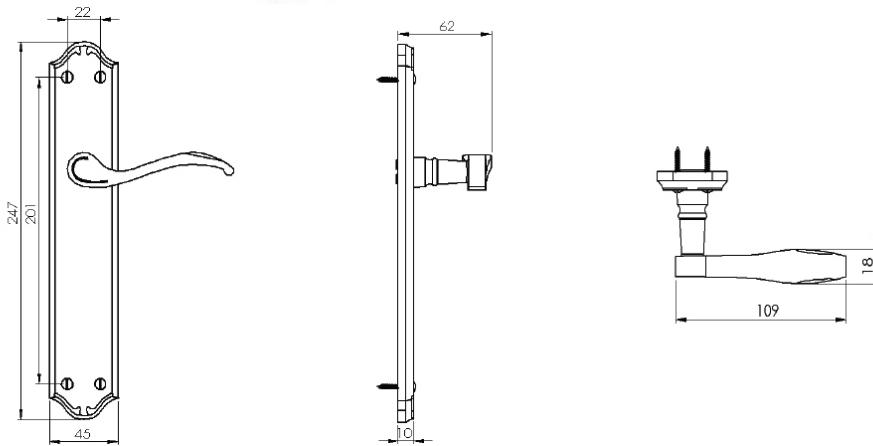


VERONA LONG LEVER LATCH HANDLE



1
PAIRED VIEW



This latch handle is suitable for use with most U.K. tubular latches.
For a new door installation we would recommend using our York standard tubular latch from the list below.

TUBULAR LATCH

(not Included, must be ordered separately)

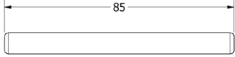
| | |
|-------------|----------------------------------------|
| YKTL2-AT | 2 1/2" Antique Finish |
| YKTL2-BLK | 2 1/2" Black Finish |
| YKTL2-MB | 2 1/2" Matt Bronze Finish |
| YKTL2-PB | 2 1/2" Brass Finish |
| YKTL2-PC&PN | 2 1/2" Polished Chrome & Nickel Finish |
| YKTL2-SB | 2 1/2" Satin Brass Finish |
| YKTL2-SN&SC | 2 1/2" Satin Nickel & Chrome Finish |
| YKTL3-AT | 3" Antique Finish |
| YKTL3-BLK | 3" Black Finish |
| YKTL3-MB | 3" Matt Bronze Finish |
| YKTL3-PB | 3" Brass Finish |
| YKTL3-PC&PN | 3" Polished Chrome & Nickel Finish |
| YKTL3-SB | 3" Satin Brass Finish |
| YKTL3-SN&SC | 3" Satin Nickel & Chrome Finish |

3



Iron starter screw x 1pc.
Drill pilot holes, use the starter screw to cut a thread

2



Spindle : 7.8mm x 85mm - 1pc.

4



8x Brass wood screws
Fasten the brass screw into the pilot hole

Box
Contains

1

Pair of lever handles

2

1x 85mm spindle
suitable for 35mm &
45mm thick door

3

1x Iron screw

4

8x Brass
wood screws

M Marcus Ltd., Dudley

Product Code

MM827

Material

Solid Brass

Available in all Heritage Brass finishes.

Sizes shown are in mm and approximate.
We reserve the right to amend where
necessary and without any prior notice.