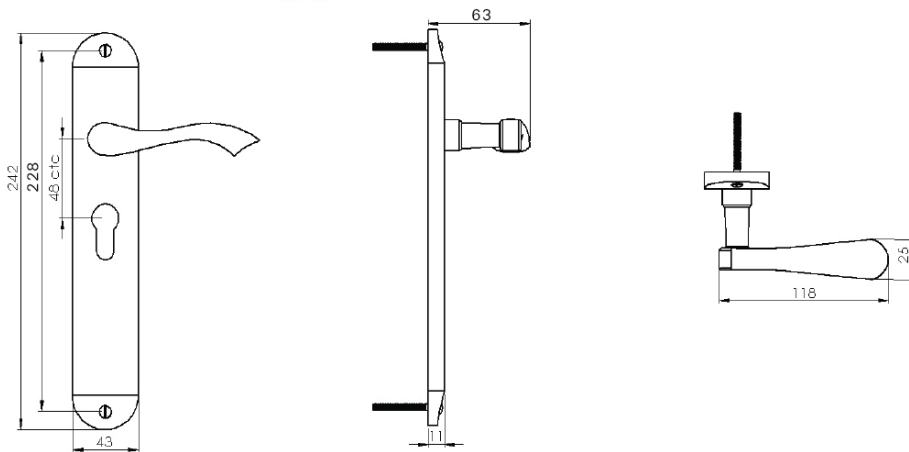


ALGARVE LONG EURO PROFILE LOCK HANDLE

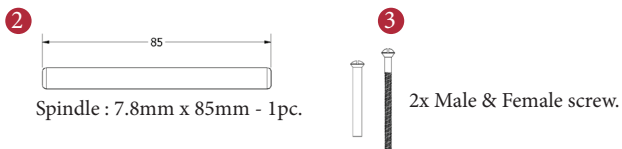


1  
PAIRED VIEW



This lock handle is suitable for use with most U.K. Euro Profile cylinders and sashlocks with a 48mm CTC.

**EURO PROFILE SASHLOCKS**  
with a 48mm CTC  
(not included, must be ordered separately)



- YKCSLE27.CE 2.1/2" PVD Brass Finish
- YKCSLE28.CE 2.1/2" PSS
- YKCSLE29.CE 2.1/2" SSS
- YKCSLE37.CE 3" PVD Brass Finish
- YKCSLE38.CE 3" PSS
- YKCSLE39.CE 3" SSS

**Box Contains**

- 1  
Pair of lever handles
- 2  
1x 85mm spindle suitable for 35mm & 45mm thick door
- 3  
2x Brass male & female screw sets

  
**M Marcus Ltd., Dudley**

Product Code

MM7248

Material

Solid Brass

Sizes shown are in mm and approximate.  
We reserve the right to amend where necessary and without any prior notice.