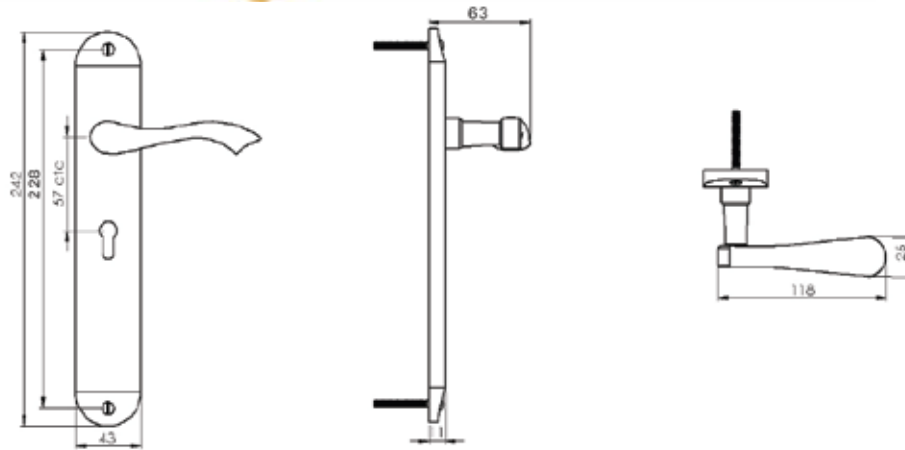


ALGARVE LONG LEVER LOCK HANDLE



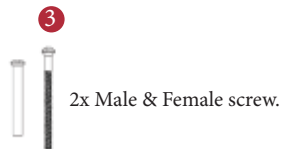
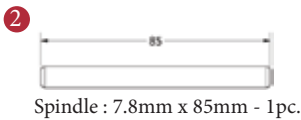
1
PAIRED VIEW



This lock handle is suitable for use with most U.K. sashlocks with 57mm CTC.
For a new interior door installation we would recommend using our York 3 lever sashlock from the list below.

3 LEVER SASHLOCK
(not Included, must be ordered separately)

- YKSL2-AT 2 1/2" Antique Finish
- YKSL2-BLK 2 1/2" Black Finish
- YKSL2-MB 2 1/2" Matt Bronze Finish
- YKSL2-PB 2 1/2" Brass Finish
- YKSL2-PC&PN 2 1/2" Polished Chrome & Nickel Finish
- YKSL2-SB 2 1/2" Satin Brass Finish
- YKSL2-SN&SC 2 1/2" Satin Nickel & Chrome Finish
- YKSL3-AT 3" Antique Finish
- YKSL3-BLK 3" Black Finish
- YKSL3-MB 3" Matt Bronze Finish
- YKSL3-PB 3" Brass Finish
- YKSL3-PC&PN 3" Polished Chrome & Nickel Finish
- YKSL3-SB 3" Satin Brass Finish
- YKSL3-SN&SC 3" Satin Nickel & Chrome Finish



Box
Contains

1
Pair of lever handles

2
1x 85mm spindle
suitable for 35mm &
45mm thick door

3
2x male & female
screw sets

M Marcus Ltd., Dudley

Product Code	Material	Sizes shown are in mm and approximate. We reserve the right to amend where necessary and without any prior notice.
MM7200	Solid Brass	