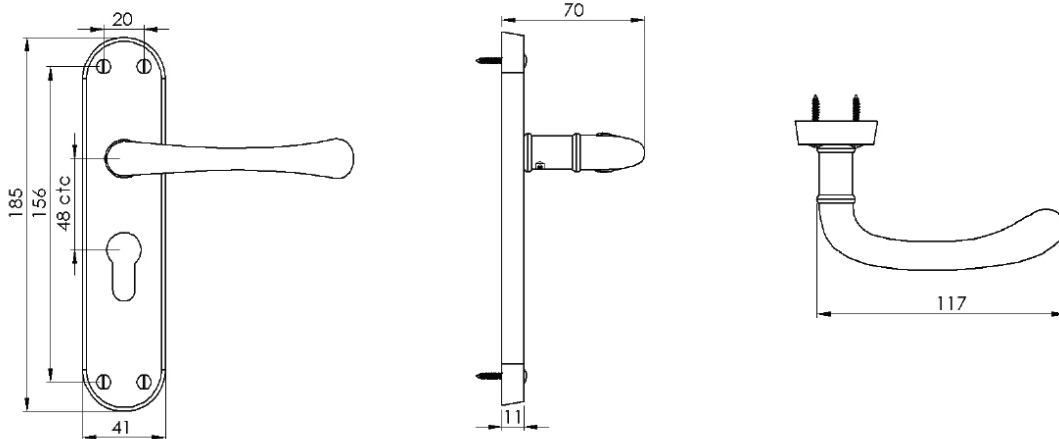


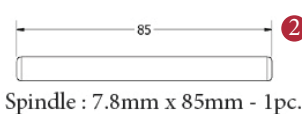
LUNA EURO PROFILE LOCK HANDLE



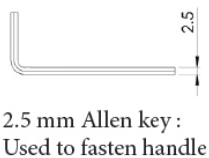
1
PAIRED VIEW



This lock handle is suitable for use with most U.K. Euro Profile cylinders and sashlocks with a 48mm CTC.



4 Iron starter screw x 1pc.
Drill pilot holes, use the starter screw to cut a thread



3 5 8x Brass wood Screws
Fasten the Brass Screw into the Pilot hole

EURO PROFILE SASHLOCKS
with a 48mm CTC
(not Included, must be ordered separately)

- YKCSLE27.CE 2.1/2" PVD Brass Finish
- YKCSLE28.CE 2.1/2" PSS
- YKCSLE29.CE 2.1/2" SSS
- YKCSLE37.CE 3" PVD Brass Finish
- YKCSLE38.CE 3" PSS
- YKCSLE39.CE 3" SSS

Box Contains	1	2	3	4	5
	Pair of lever handles	1x 85mm spindle suitable for 35mm & 45mm thick door	1x Allen key	1x Iron screw	8x Brass wood screws

 M Marcus Ltd., Dudley

Product Code	Material	Available in all Heritage Brass finishes.	Sizes shown are in mm and approximate. We reserve the right to amend where necessary and without any prior notice.
LUN5348	Solid Brass		