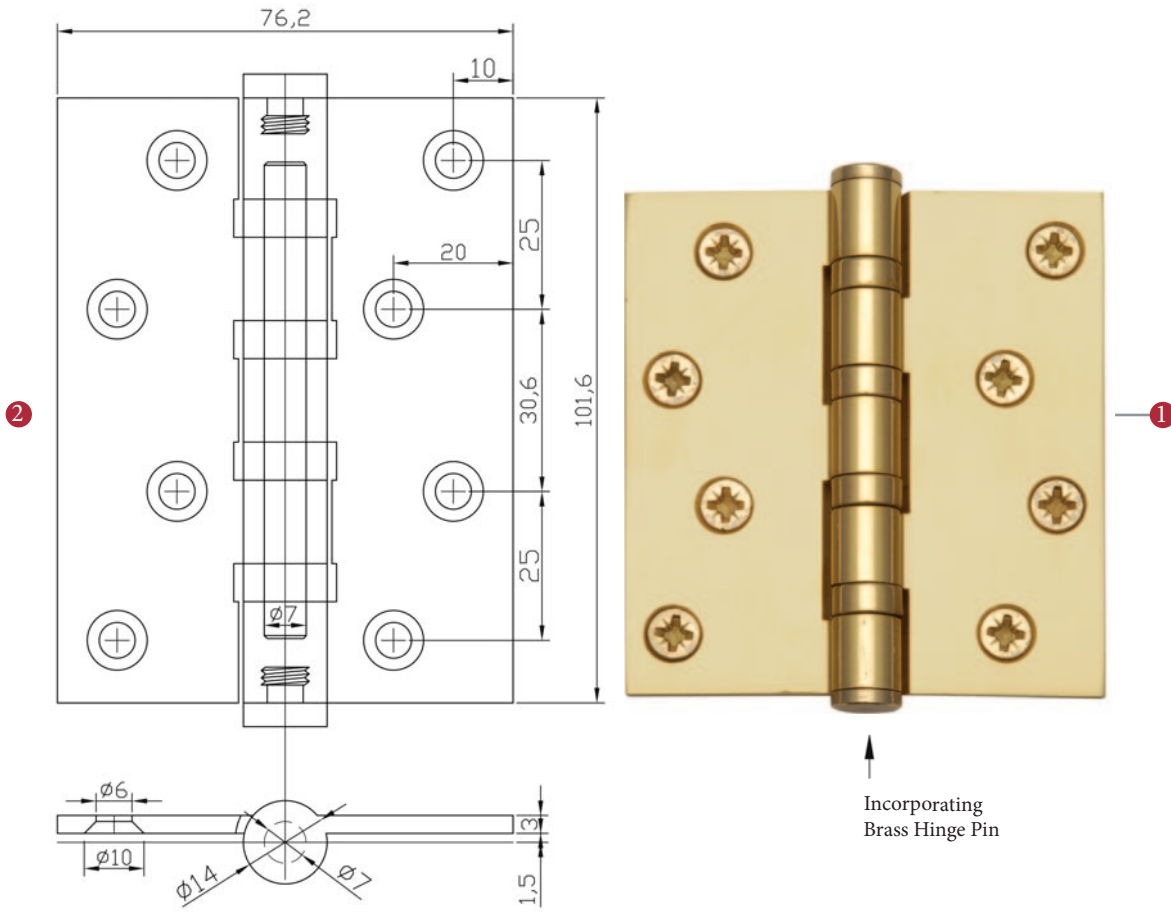





HG99-400 with Ball Bearing [4" x 3"]



2 Dimensions: see the outlines given above

3  Screw Gauge: No.10 x 1 1/4"

FINISHES

-  Polished Brass finish
-  Polished Chrome finish
-  Antique Brass finish
-  Satin Chrome finish
-  Satin Nickel finish
-  Matt Bronze finish
-  Satin Brass finish
-  Polished Nickel finish

Overview

- 1 Door Chain illustrated
- 2 General dimensions of Door Chain
- 3 Supplied with: 16 x 32mm Steel Screws

  
M Marcus Ltd., Dudley

Product Code

HG99-400

Material

Solid Brass

Available in listed finishes

Sizes shown are in mm and approximate. We reserve the right to amend where necessary and without any prior notice.