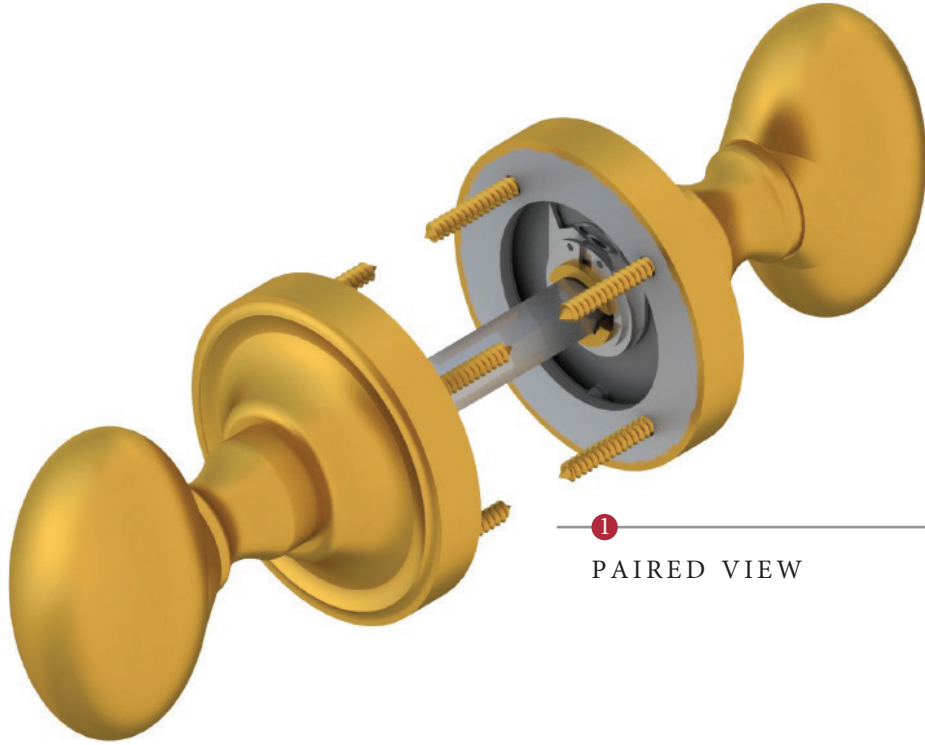
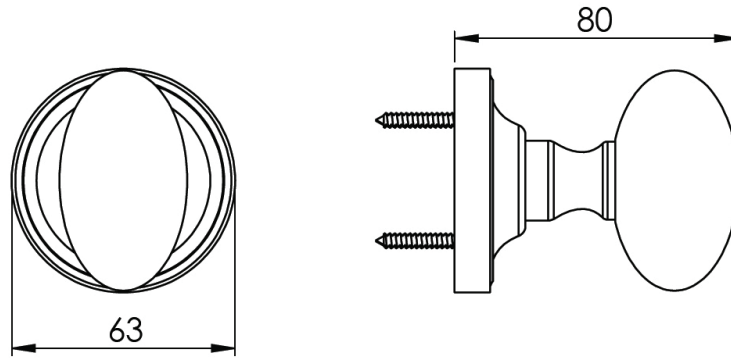


CHELSEA MORTICE KNOB SPRUNG ON ONE SIDE ~ CONCEALED FIXING



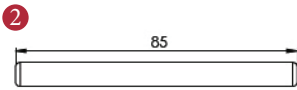
1
PAIRED VIEW



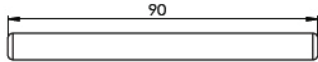
This mortice knob is suitable for use with most U.K. tubular latches.
For a new interior door installation we would recommend using our York standard tubular latch from the list below.

TUBULAR LATCH
(not Included, must be ordered seperately)

- YKTL3-AT 3" Antique Finish
- YKTL3-BLK 3" Black Finish
- YKTL3-MB 3" Matt Bronze Finish
- YKTL3-PB 3" Brass Finish
- YKTL3-PC&PN 3" Polished Chrome & Nickel Finish
- YKTL3-SB 3" Satin Brass Finish
- YKTL3-SN&SC 3" Satin Nickel & Chrome Finish



Spindle : 7.8mm x 85mm - 1pc.



Spindle : 7.8mm x 90mm - 1pc.



8x Brass wood Screws
Fasten the Brass Screws into the Pilot holes

Box
Contains

1
Pair of
mortice knobs

2
2x spindle suitable for 35mm &
44mm thick door

4
8x Brass wood
screw

M Marcus Ltd., Dudley

Product Code

CHE7373

Material

Solid Brass

Available in all Heritage Brass finishes.

Sizes shown are in mm and approximate.
We reserve the right to amend where
necessary and without any prior notice.