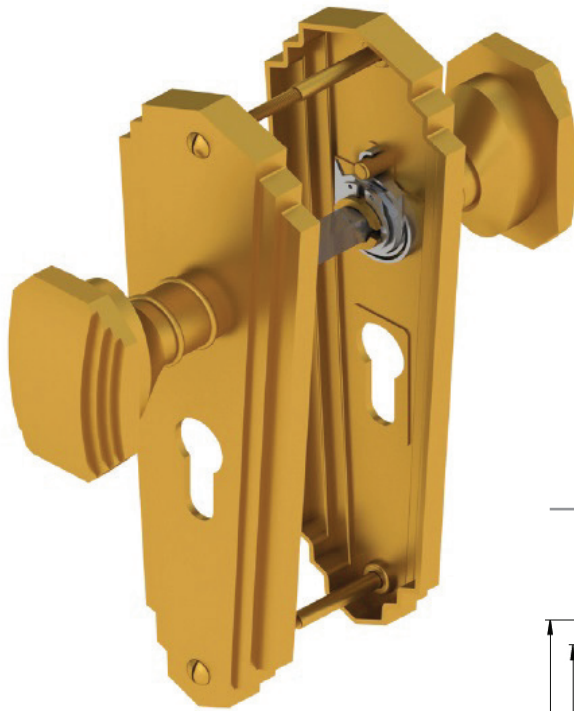
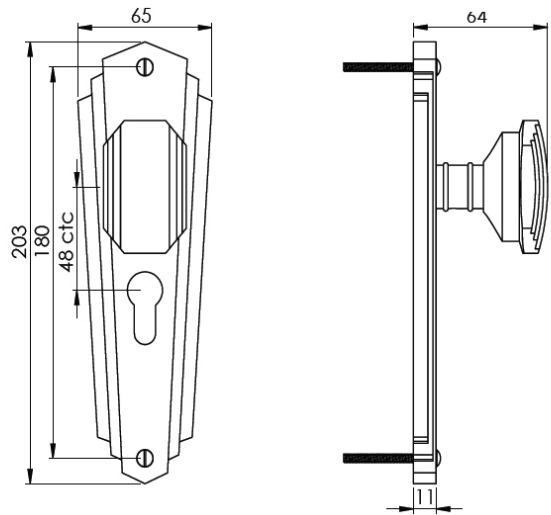


CHARLSTON MORTICE KNOB ON EURO PROFILE LOCK PLATE SPRUNG ON ONE SIDE



1
PAIRED VIEW



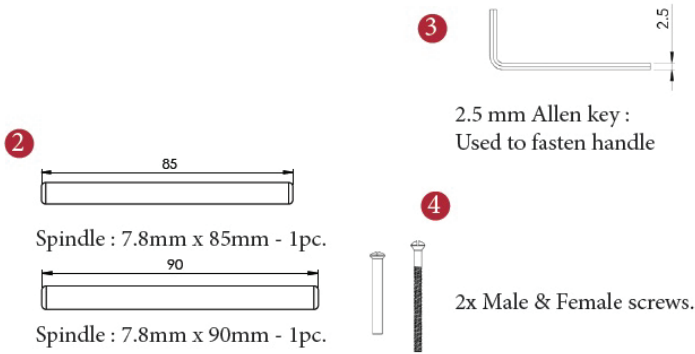
This lock handle is suitable for use with most U.K. Euro Profile cylinders and sashlocks with a 48mm CTC.

EURO PROFILE SASHLOCKS

with a 48mm CTC

(not included, must be ordered separately)

- YKCSLE37.CE 3" PVD Brass Finish
- YKCSLE38.CE 3" PSS
- YKCSLE39.CE 3" SSS



Box
Contains

- 1. Pair of mortice knobs
- 2. 2x spindle suitable for 35mm & 44mm thick door
- 3. 1x Allen key
- 4. 2x Brass male & female screw sets


M Marcus Ltd., Dudley

Product Code

CHA1948

Material

Solid Brass

Available in all Heritage Brass finishes.

Sizes shown are in mm and approximate. We reserve the right to amend where necessary and without any prior notice.