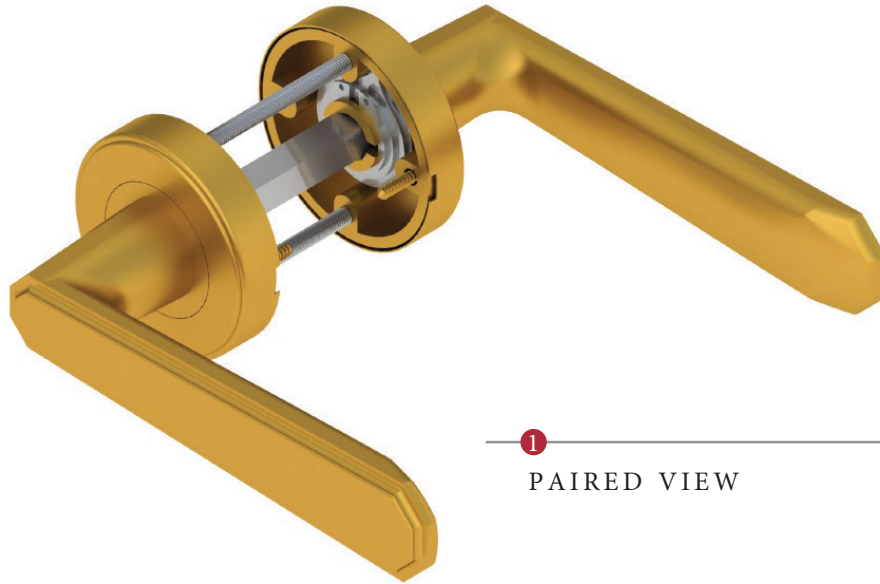
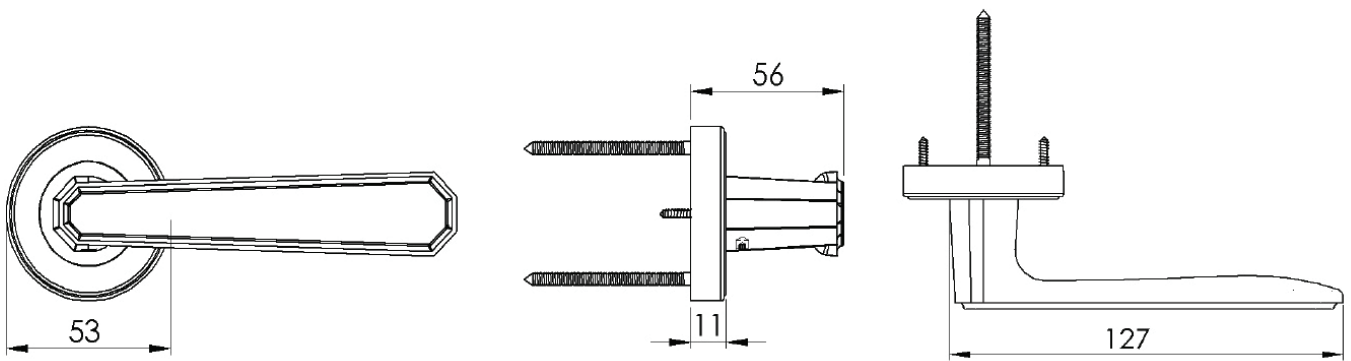


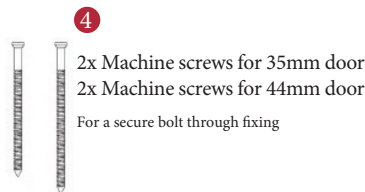
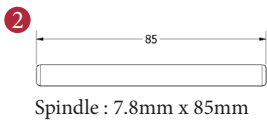
CENTURY LEVER ON ROSE



1
PAIRED VIEW



This latch handle is suitable for use with most U.K. tubular latches.
For a new door installation we would recommend using our York standard tubular latch from the list below.



TUBULAR LATCH
(not Included, must be ordered separately)

| | |
|-------------|-------------------------------------|
| YKTL2-AT | 2½" Antique Finish |
| YKTL2-BLK | 2½" Black Finish |
| YKTL2-MB | 2½" Matt Bronze Finish |
| YKTL2-PB | 2½" Brass Finish |
| YKTL2-PC&PN | 2½" Polished Chrome & Nickel Finish |
| YKTL2-SB | 2½" Satin Brass Finish |
| YKTL2-SN&SC | 2½" Satin Nickel & Chrome Finish |
| YKTL3-AT | 3" Antique Finish |
| YKTL3-BLK | 3" Black Finish |
| YKTL3-MB | 3" Matt Bronze Finish |
| YKTL3-PB | 3" Brass Finish |
| YKTL3-PC&PN | 3" Polished Chrome & Nickel Finish |
| YKTL3-SB | 3" Satin Brass Finish |
| YKTL3-SN&SC | 3" Satin Nickel & Chrome Finish |

| | | | | | |
|-----------------|-----------------------|---|--------------|-------------------|----------------------|
| Box Contains | 1 | 2 | 3 | 4 | 5 |
| | Pair of lever handles | 1x spindle suitable for 35mm & 44 mm thick door | 1x Allen key | 4x Machine screws | 8x Steel wood screws |

M Marcus Ltd., Dudley

| | | | |
|--------------|-------------|---|--|
| Product Code | Material | Available in all Heritage Brass finishes. | Sizes shown are in mm and approximate. We reserve the right to amend where necessary and without any prior notice. |
| CEN1924 | Solid Brass | | |