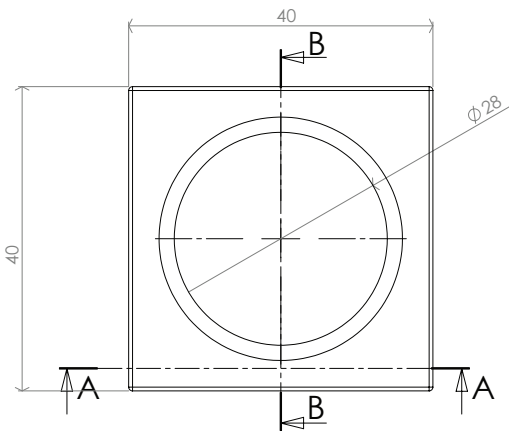
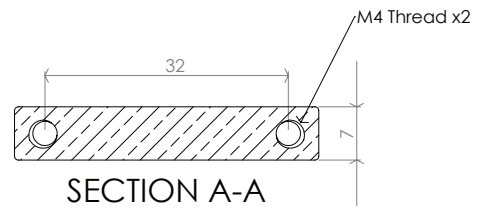
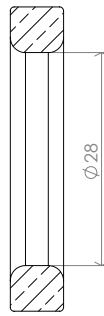


C-4465 CABINET KNOB



SECTION B-B



SECTION A-A

② Dimensions:  
see the outlines given above



2 x M4 (28mm length)  
2 x M4 (40mm length)

FINISHES

- ◆ AT Antique Brass finish
- ◆ ME Matt Bronze finish
- ◆ SB Satin Brass finish
- ◆ PN Polished Nickel finish
- ◆ SN Satin Nickel finish
- ◆ PE Polished Brass finish
- ◆ PC Polished Chrome finish

Overview

①	②	③
Cabinet knob illustrated	(General dimensions of cabinet knob)	Supplied with: 2 x M4 (28mm length) 2 x M4 (40mm length)

  
**M Marcus Ltd., Dudley**

Product Code

C-4465

Material

Solid Brass

Available in all Heritage Brass finishes.

Sizes shown are in mm and approximate. We reserve the right to amend where necessary and without any prior notice.