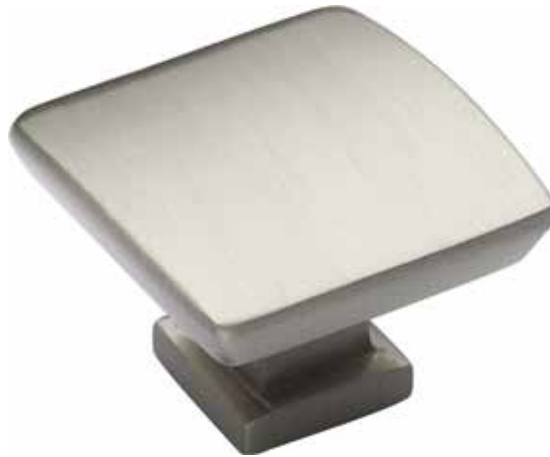
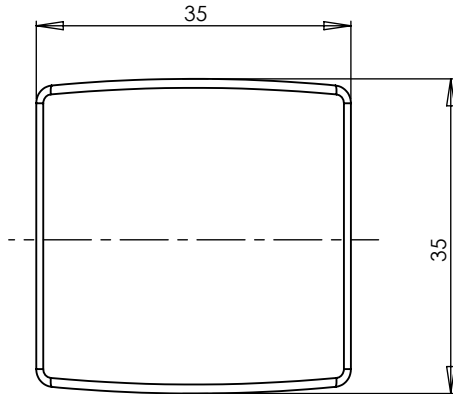


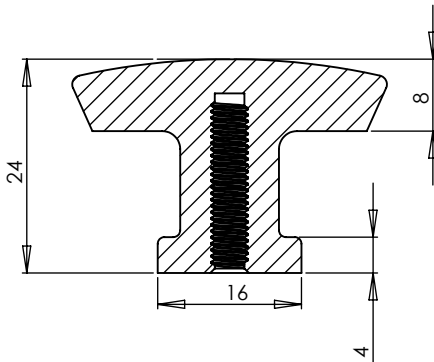
C4382 35 PLINTH CABINET KNOB WITH BASE



2

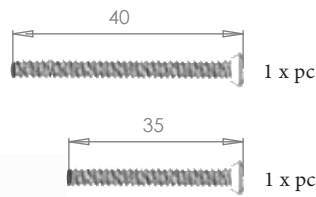


1



2 Dimensions: see the outlines given above

3



FINISHES

- ME Matt Bronze finish
- SB Satin Brass finish
- PN Polished Nickel finish
- SN Satin Nickel finish
- AT Antique Brass finish
- PE Polished Brass finish
- PC Polished Chrome finish

Overview

1

Cabinet Knob illustrated

2

General Dimension of Cabinet Knob

3

Supplied in pairs with:  
1x 40mm machine screw  
1x 35mm machine screw

 M Marcus Ltd., Dudley

Product Code

C4382 35

Material

Solid Brass

Sizes shown are in mm and approximate. We reserve the right to amend where necessary and without any prior notice.