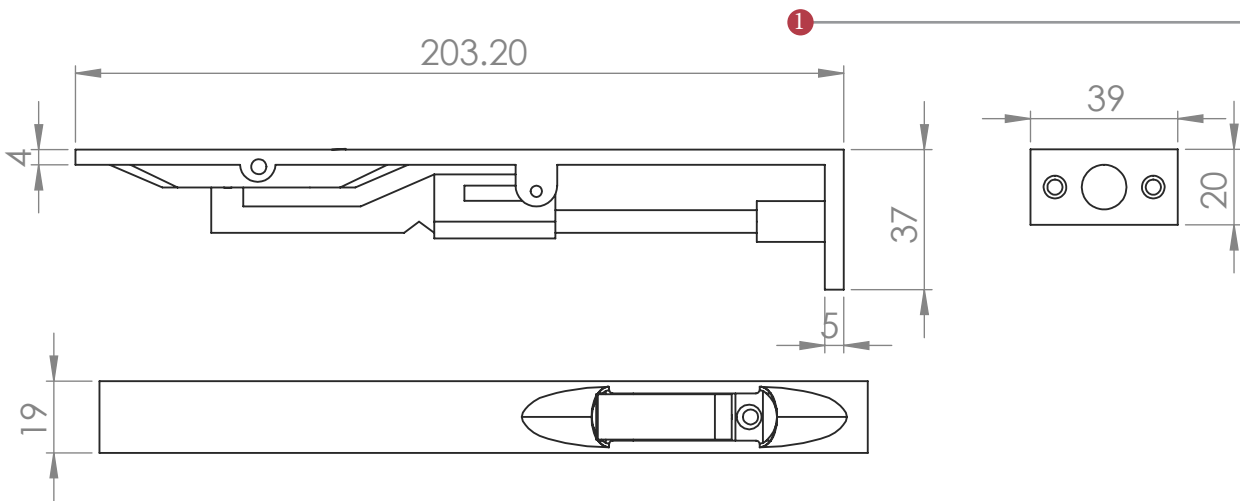
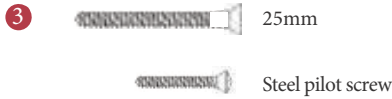


C1680 8" FLUSH BOLT



2 Dimensions: see the outlines given above



FINISHES

- MB Matt Bronze finish
- SB Satin Brass finish
- PN Polished Nickel finish
- SN Satin Nickel finish
- AT Antique Brass finish
- SC Satin Chrome finish
- PB Polished Brass finish
- PC Polished Chrome finish

Overview	1 Flush Bolt illustrated	2 General Dimensions of Flush Bolt	3 Supplied with: 4 x 25mm brass screws 1x Steel pilot screw
----------	--------------------------	------------------------------------	---

 M Marcus Ltd., Dudley

Product Code	Material	Sized shown are in mm and approximate. We reserve the right to amend where necessary and without any prior notice.
C1680 8	Solid Brass	