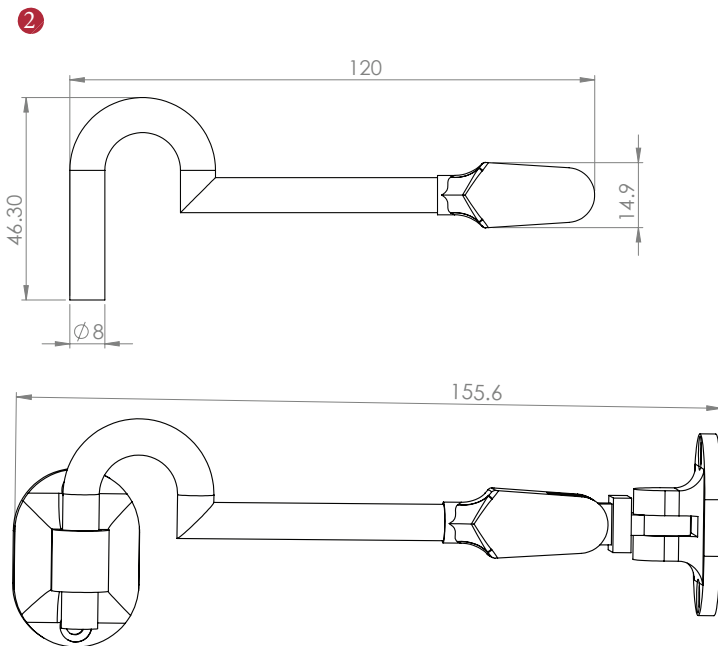
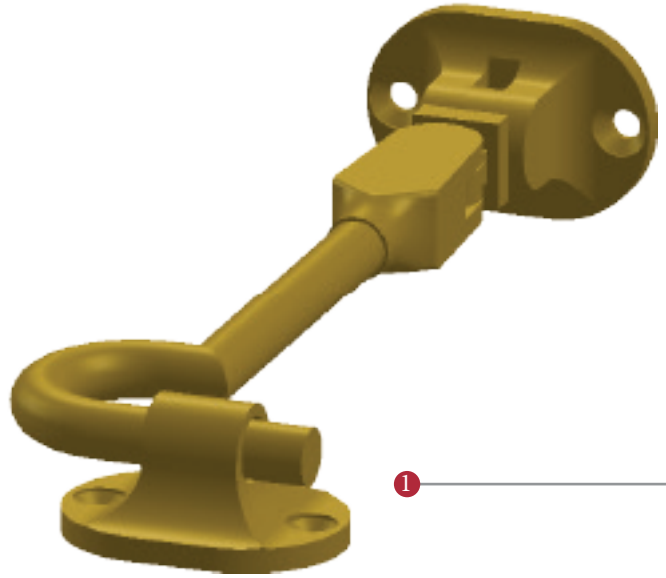
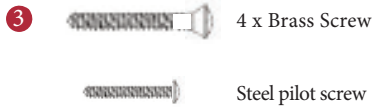


C1530 4 CABIN HOOK



② Dimensions: see the outlines given above



FINISHES

- PE Polished Brass finish
- PC Polished Chrome finish
- AT Antique Brass finish
- SC Satin Chrome finish
- SN Satin Nickel finish
- ME Matt Bronze finish
- SE Satin Brass finish
- PN Polished Nickel finish

Overview

① Quadrant stay illustrated

② (General dimensions of Cabin Hook)

③ Supplied with:
4 x 25mm Brass Screws
1 x Steel pilot screw


M Marcus Ltd., Dudley

Product Code

C1530 4

Material

Solid Brass

Available in all Heritage Brass finishes.

Sizes shown are in mm and approximate. We reserve the right to amend where necessary and without any prior notice.