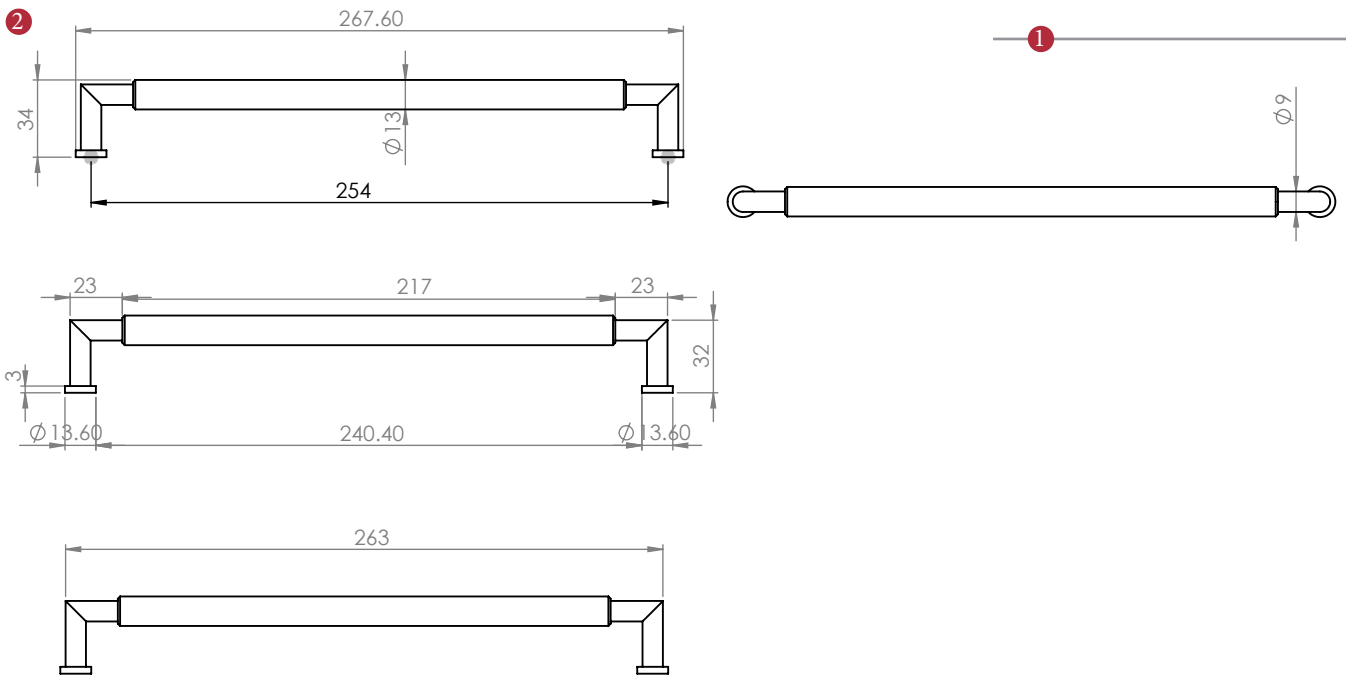
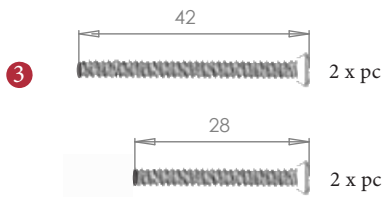


C0319 254 BAUHAUS ROUND CABINET PULL HANDLE



② Dimensions:
see the outlines given above



FINISHES

- ME Matt Bronze finish
- SB Satin Brass finish
- PN Polished Nickel finish
- SN Satin Nickel finish
- AT Antique Brass finish
- SR Satin Rose Gold finish
- SC Satin Chrome finish
- PE Polished Brass finish
- PC Polished Chrome finish
- BK Matt Black finish

Overview

① Cabinet Pull illustrated

② General Dimension of Cabinet Pull

③ Supplied with:
2x 42mm machine screws
2x 28mm machine screws

M Marcus Ltd., Dudley

Product Code

C0319 254

Material

Solid Brass

Sizes shown are in mm and approximate.
We reserve the right to amend where necessary and without any prior notice.