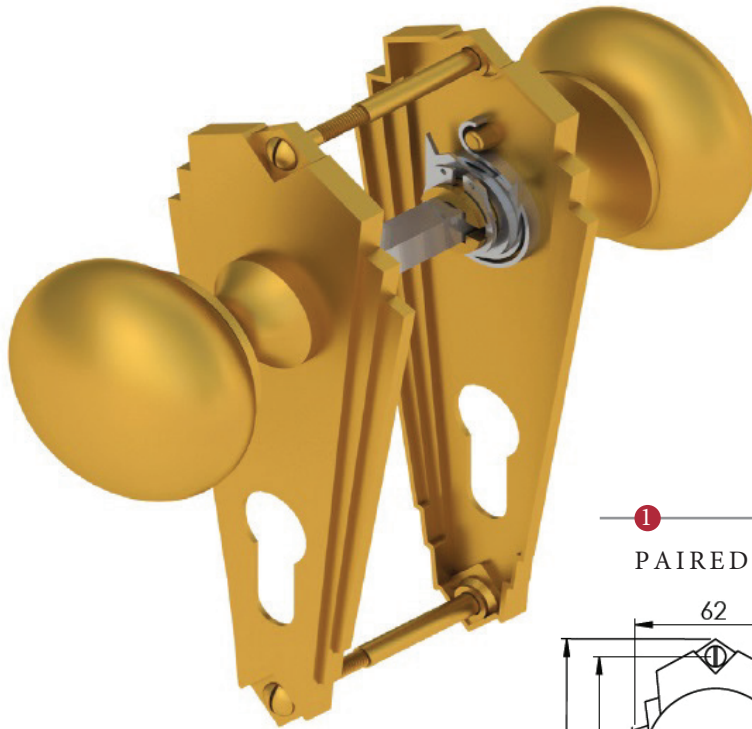
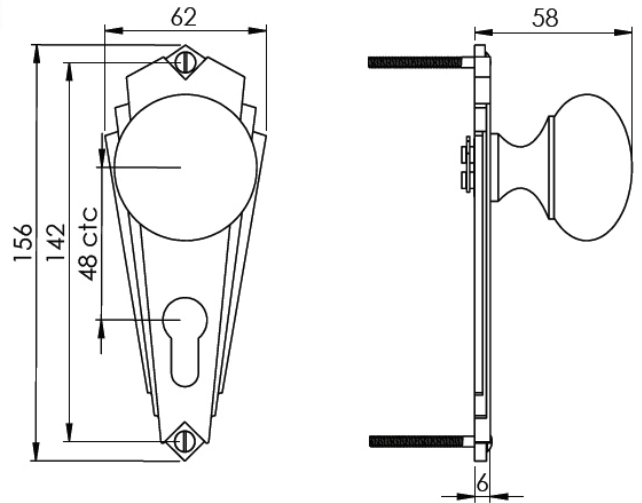


BROADWAY MORTICE KNOB ON EURO PROFILE LOCK PLATE - SPRUNG ON ONE SIDE



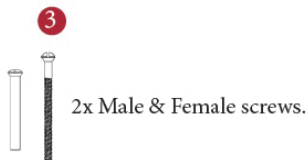
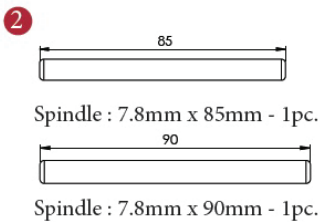
1 PAIRED VIEW



This lock handle is suitable for use with most U.K. Euro Profile cylinders and sashlocks with a 48mm CTC.

EURO PROFILE SASHLOCKS  
with a 48mm CTC  
(not included, must be ordered separately)

- YKCSLE37.CE 3" PVD Brass Finish
- YKCSLE38.CE 3" PSS
- YKCSLE39.CE 3" SSS



Box Contains

1 Pair of mortice knobs

2 2x spindle suitable for 44mm thick door

3 2x male & female screw sets

 M Marcus Ltd., Dudley

Product Code

BR1848

Material

Solid Brass

Sizes shown are in mm and approximate. We reserve the right to amend where necessary and without any prior notice.