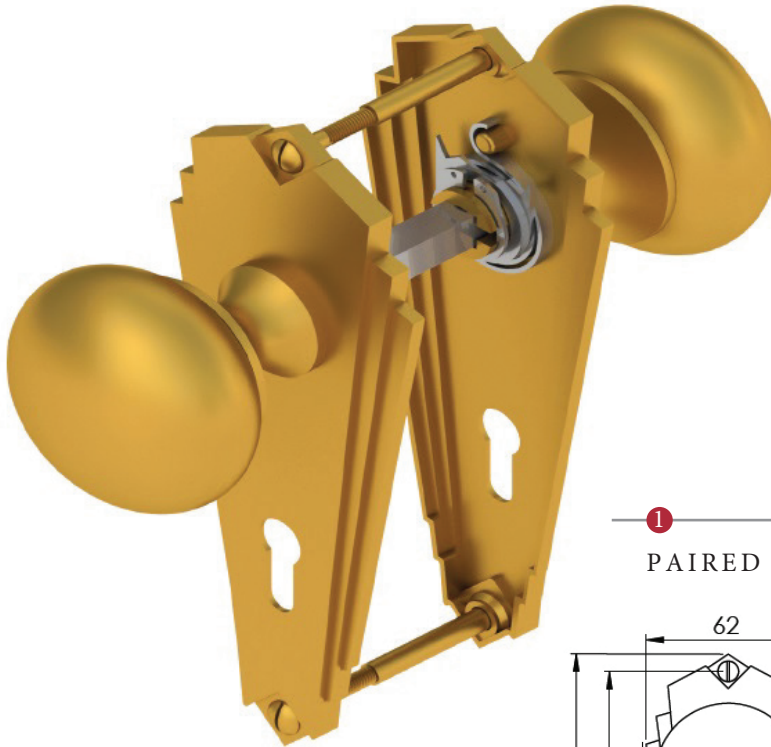
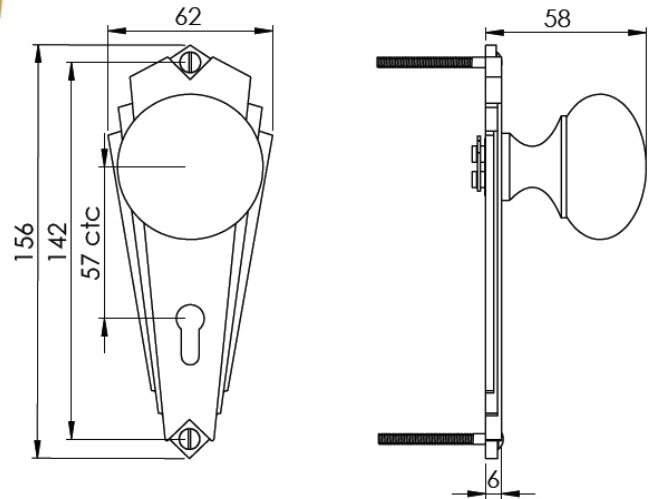


BROADWAY MORTICE KNOB ON LOCK PLATE SPRUNG ON ONE SIDE



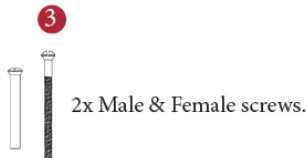
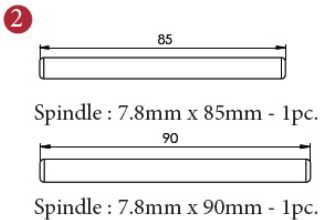
1  
PAIRED VIEW



This mortice knob is suitable for use with most U.K. sashlocks with 57mm CTC.  
For a new interior door installation we would recommend using our York 3 lever sashlock from the list below.

3 LEVER SASHLOCK  
(not Included, must be ordered seperately)

- YKSL3-AT 3" Antique Finish
- YKSL3-BLK 3" Black Finish
- YKSL3-MB 3" Matt Bronze Finish
- YKSL3-PB 3" Brass Finish
- YKSL3-PC&PN 3" Polished Chrome & Nickel Finish
- YKSL3-SB 3" Satin Brass Finish
- YKSL3-SN&SC 3" Satin Nickel & Chrome Finish



Box  
Contains

1  
Pair of  
mortice knobs

2  
2x spindle suitable for  
44mm thick door

3  
2x male & female  
screw sets

M Marcus Ltd., Dudley

Product Code

BR1800

Material

Solid Brass

Sizes shown are in mm and approximate.  
We reserve the right to amend where  
necessary and without any prior notice.