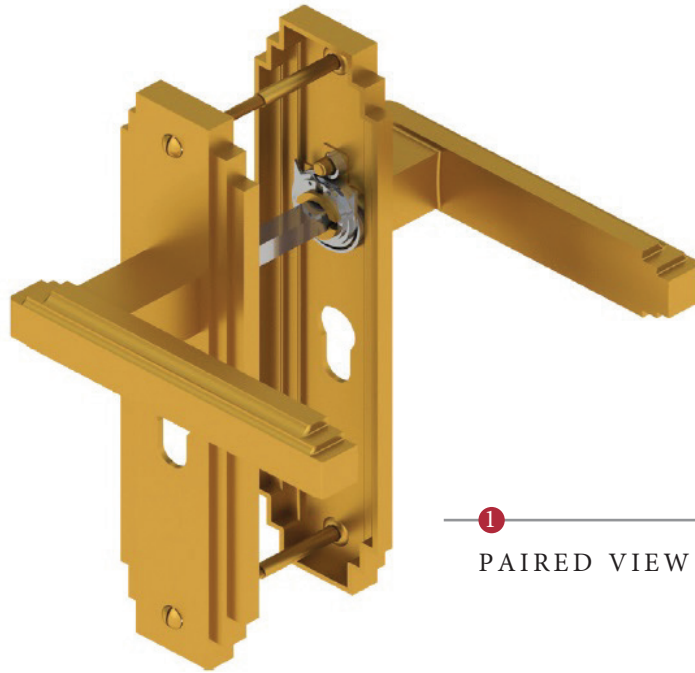
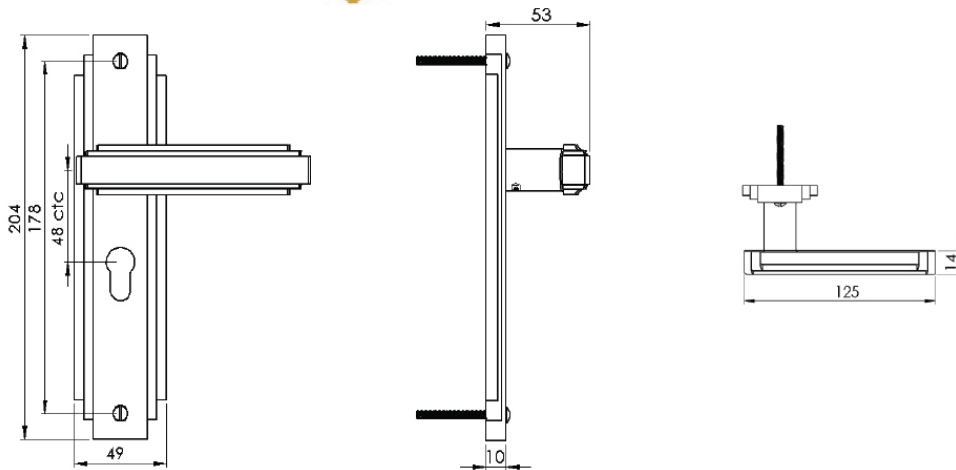


ASTORIA EURO PROFILE LOCK HANDLE



1  
PAIRED VIEW



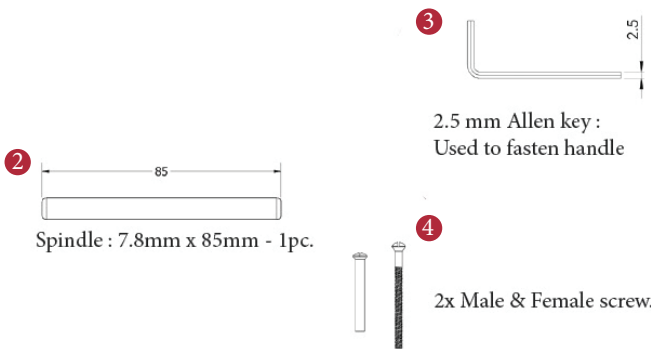
This lock handle is suitable for use with most U.K. Euro Profile cylinders and sashlocks with a 48mm CTC.

EURO PROFILE SASHLOCKS

with a 48mm CTC

(not included, must be ordered separately)

- YKCSLE27.CE 2.1/2" PVD Brass Finish
- YKCSLE28.CE 2.1/2" PSS
- YKCSLE29.CE 2.1/2" SSS
- YKCSLE37.CE 3" PVD Brass Finish
- YKCSLE38.CE 3" PSS
- YKCSLE39.CE 3" SSS



Box Contains

- 1 Pair of lever handles
- 2 1x 85mm spindle suitable for 35mm & 45mm thick door
- 3 1x Allen key
- 4 2x Brass male & female screws sets

  
M Marcus Ltd., Dudley

Product Code

AST5948

Material

Solid Brass

Available in all Heritage Brass finishes.

Sizes shown are in mm and approximate. We reserve the right to amend where necessary and without any prior notice.