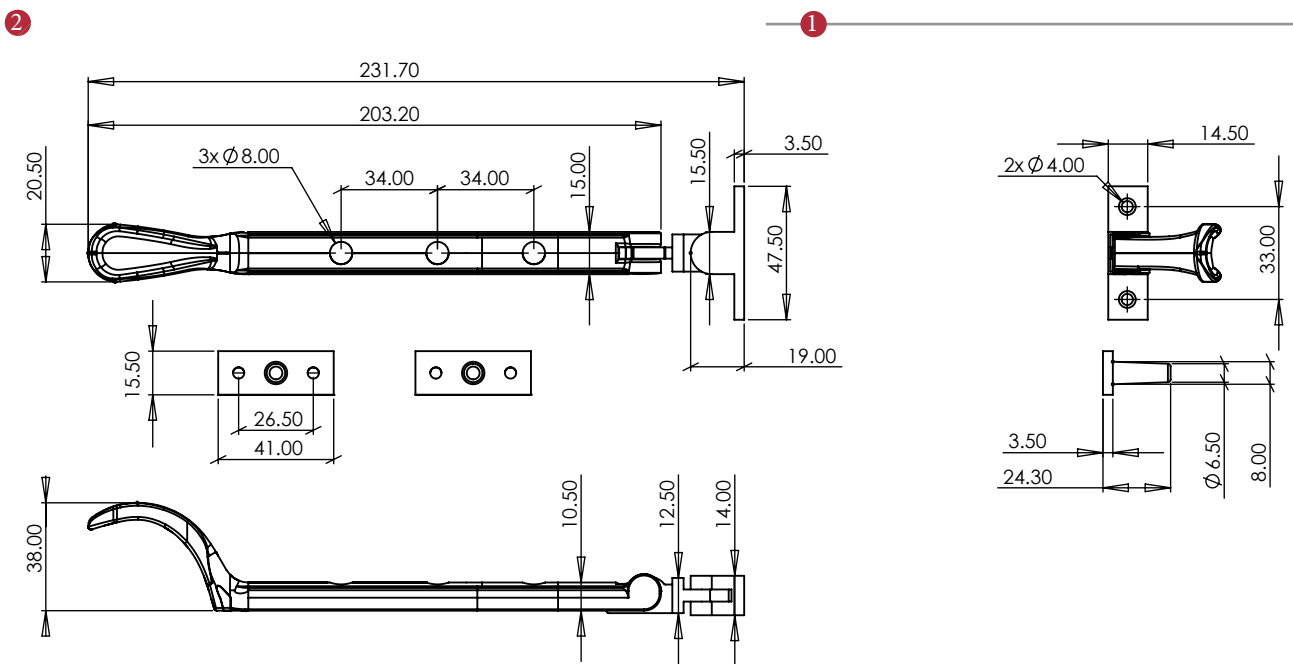
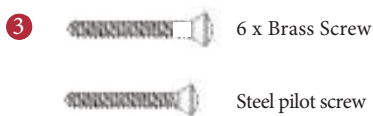


V990 8" CASEMENT STAY



2 Dimensions:
see the outlines given above



FINISHES

- PE Polished Brass finish
- PC Polished Chrome finish
- AT Antique Brass finish
- SC Satin Chrome finish
- SN Satin Nickel finish
- ME Matt Bronze finish
- SE Satin Brass finish
- PN Polished Nickel finish

Overview

1 Casement stay illustrated

2 (General dimensions of casement stay)

3 Supplied with:
6 x 25mm Brass Screws
1 x Steel pilot screw


M Marcus Ltd., Dudley

Product Code

V990 8

Material

Solid Brass

Available in all Heritage Brass finishes.

Sizes shown are in mm and approximate. We reserve the right to amend where necessary and without any prior notice.