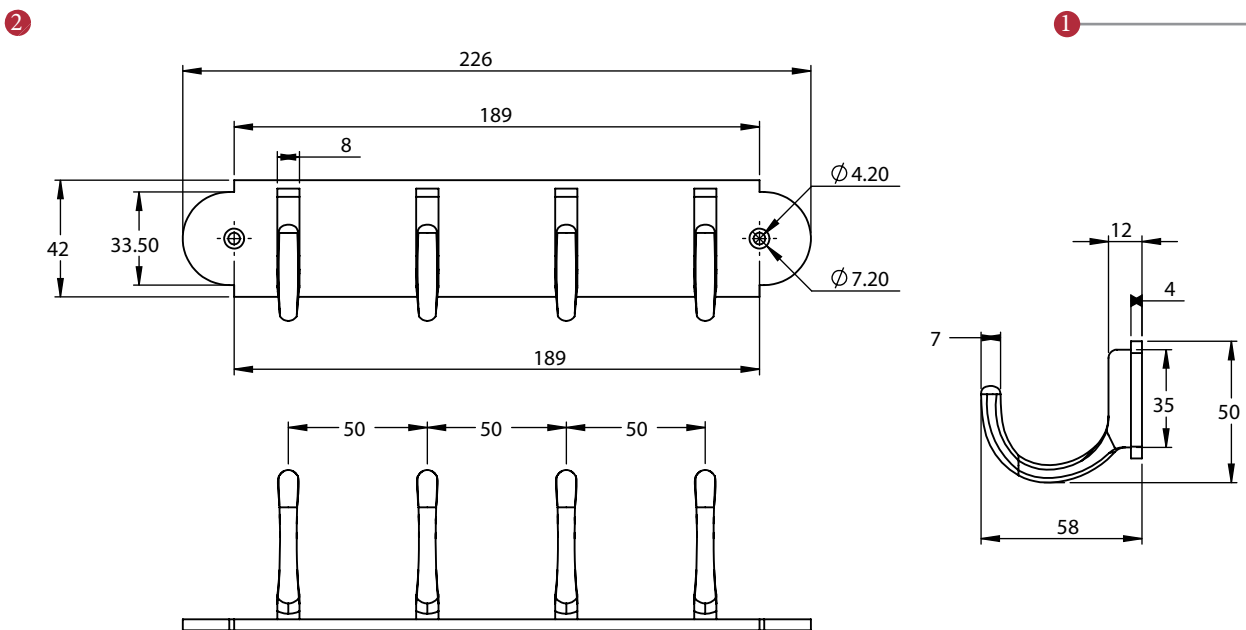
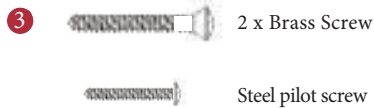


V1079 COAT HOOKS ON PLATE



2 Dimensions: see the outlines given above



FINISHES

- ME Matt Bronze finish
- SB Satin Brass finish
- PN Polished Nickel finish
- SN Satin Nickel finish
- AT Antique Brass finish
- SC Satin Chrome finish
- PE Polished Brass finish
- PC Polished Chrome finish
- BK Matt Black finish

Overview

1 Coat Hooks on Plate illustrated

2 (General dimensions of Coat Hooks on Plate)

3 Supplied with:
2 x 25mm Brass Screws
1 x Steel pilot screw

M Marcus Ltd., Dudley

Product Code

V1079

Material

Solid Brass

Available in all Heritage Brass finishes.

Sizes shown are in mm and approximate. We reserve the right to amend where necessary and without any prior notice.