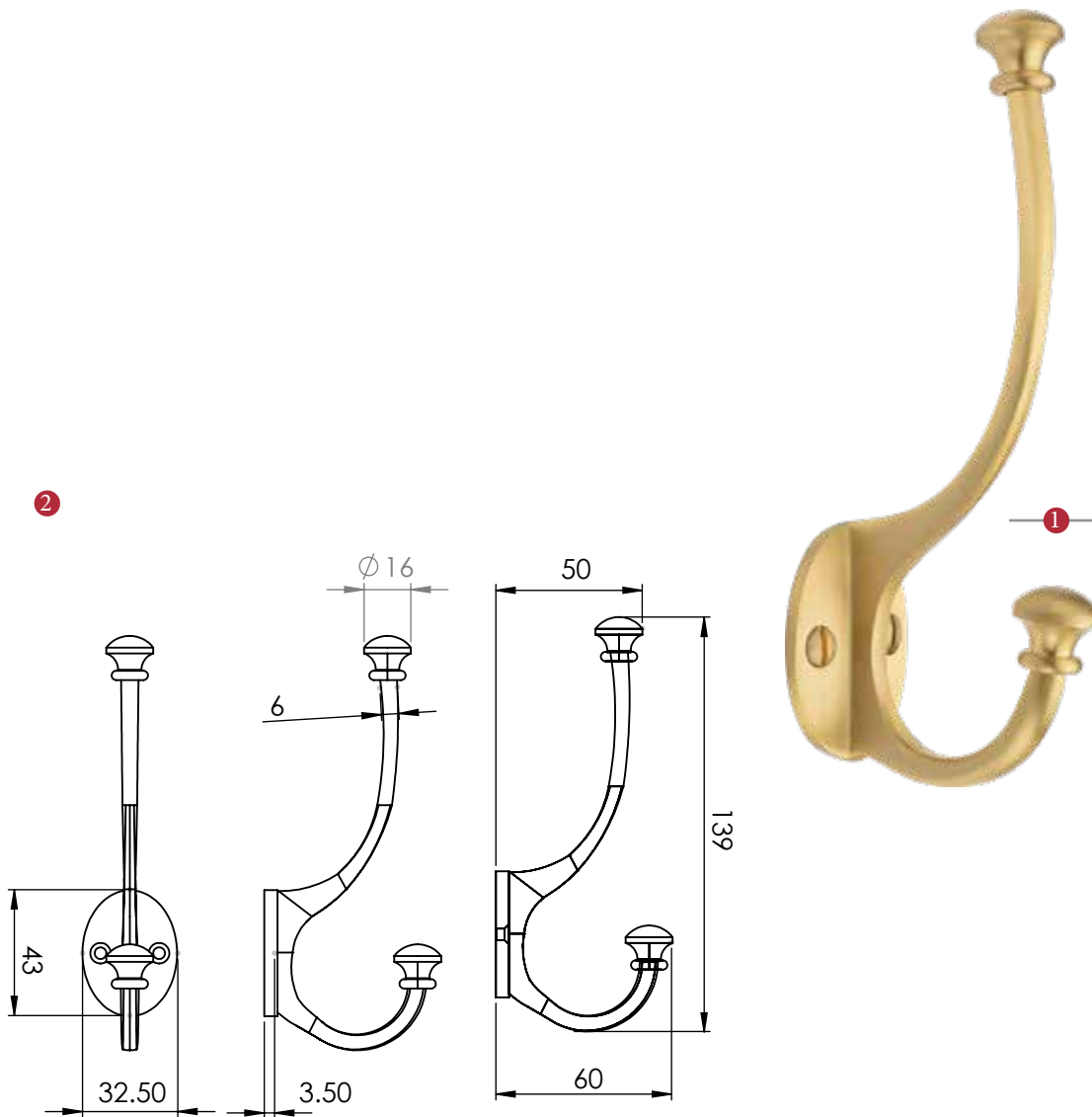


V1052 BALL HAT AND COAT HOOK



② Dimensions:
see the outlines given above

③ Starter screw x 1pc.
Drill pilot holes, use the starter screw
to cut a thread

③ 2 x Brass wood screws
Fasten the brass screw into the pilot hole

FINISHES

- ME Matt Bronze finish
- SB Satin Brass finish
- SN Satin Nickel finish
- AT Antique Brass finish
- SC Satin Chrome finish
- PB Polished Brass finish
- PC Polished Chrome finish
- BK Matt Black finish

Overview

① Ball Hat And Coat Hook illustrated

② General Dimension of Ball Hat And Coat Hook

③ Supplied with:
2 x Brass wood screws
1x Starter screw

M Marcus Ltd., Dudley

Product Code

V1052

Material

Solid Brass

Sizes shown are in mm and approximate. We reserve the right to amend where necessary and without any prior notice.