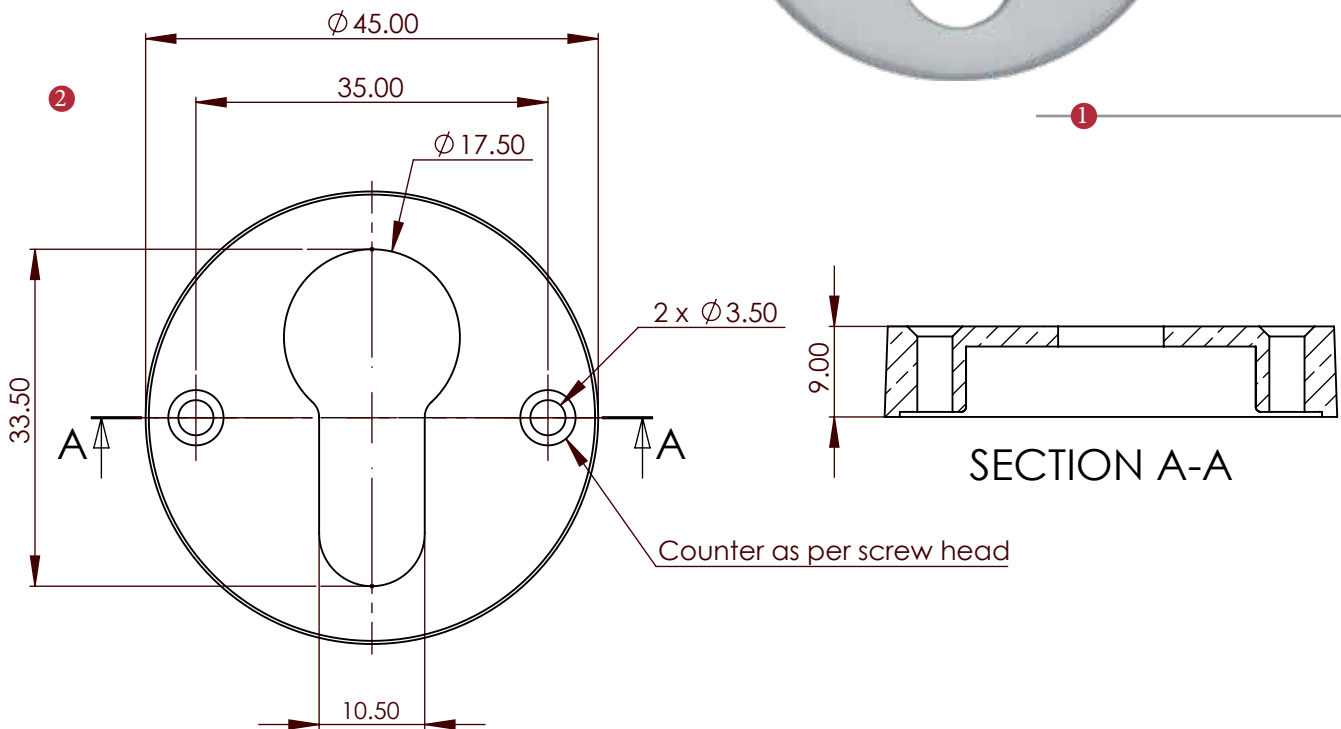
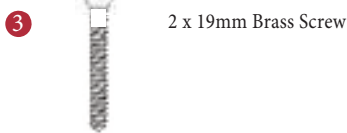


V1012 EURO PROFILE CYLINDER ESCUTCHEON ROUND



② Dimensions: see the outlines given above



FINISHES

- ◆ SN Satin Nickel finish
- ◆ AT Antique Brass finish
- ◆ SC Satin Chrome finish
- ◆ PB Polished Brass finish
- ◆ PC Polished Chrome finish

Overview	① Euro Profile Cylinder Escutcheon illustrated	② General Dimension of Euro Profile Cylinder Escutcheon	③ Supplied with: 2 x 19mm Brass screw
-----------------	--	---	---------------------------------------


M Marcus Ltd., Dudley

Sizes shown are in mm and approximate. We reserve the right to amend where necessary and without any prior notice.

Product Code	Material
V1012	Solid Brass