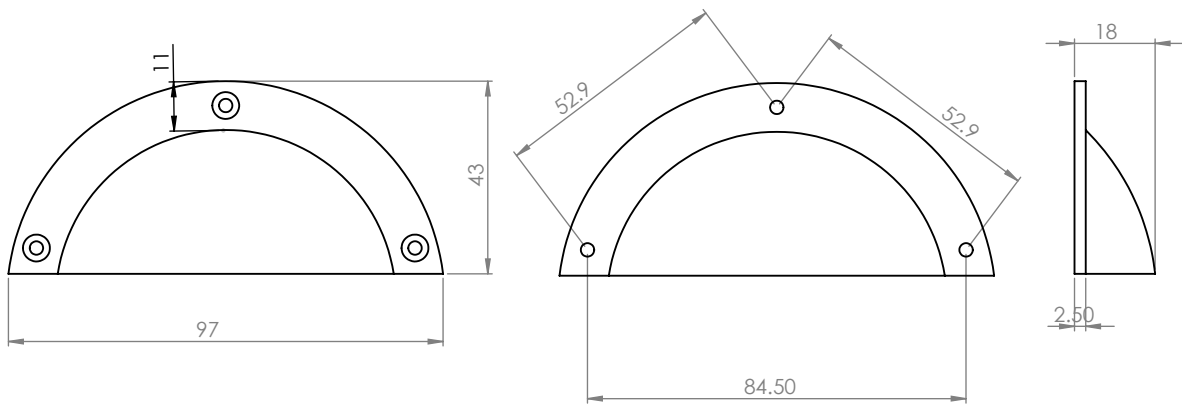


C1700 TRADITIONAL CABINET DRAWER PULL



2

1



2 Dimensions: see the outlines given above

3 Starter screw x 1pc. Drill pilot holes, use the starter screw to cut a thread

3 x Brass wood screws Fasten the brass screw into the pilot hole

FINISHES

- ME Matt Bronze finish
- SB Satin Brass finish
- PN Polished Nickel finish
- SN Satin Nickel finish
- AT Antique Brass finish
- SR Satin Rose Gold finish
- SC Satin Chrome finish
- PE Polished Brass finish
- PC Polished Chrome finish
- BK Matt Black finish
- ULB Unlacquered Brass

Overview

①	Traditional Cabinet Drawer Pull illustrated	②	General Dimension of Traditional Cabinet Drawer Pull
③	Supplied with: 3 x Brass wood screws 1x Starter screw		


M Marcus Ltd., Dudley

Product Code	Material
C1700	Solid Brass

Sizes shown are in mm and approximate. We reserve the right to amend where necessary and without any prior notice.