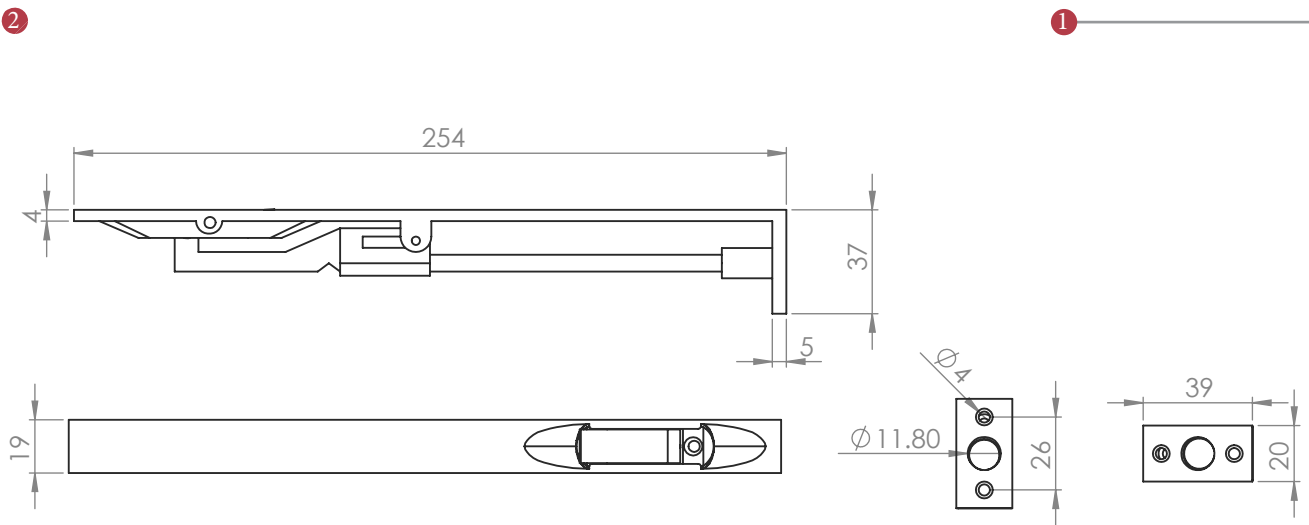





C1680 10 ~ 10" FLUSH BOLT



② Dimensions: see the outlines given above

- ③
-  2 x 25mm Brass Screw
 -  2 x 19mm Brass Screw
 -  Steel pilot screw

FINISHES

-  Matt Bronze finish
-  Satin Brass finish
-  Polished Nickel finish
-  Satin Nickel finish
-  Antique Brass finish
-  Satin Chrome finish
-  Polished Brass finish
-  Polished Chrome finish

Overview	① Flush Bolt illustrated	② (General dimensions of Flush Bolt)	③ Supplied with: 2 x 25mm and 2 x 19mm Brass Screws 1 x Steel pilot screw
----------	--------------------------	--------------------------------------	--


M Marcus Ltd., Dudley

Product Code	Material	Sizes shown are in mm and approximate. We reserve the right to amend where necessary and without any prior notice.
C1680 10	Solid Brass	