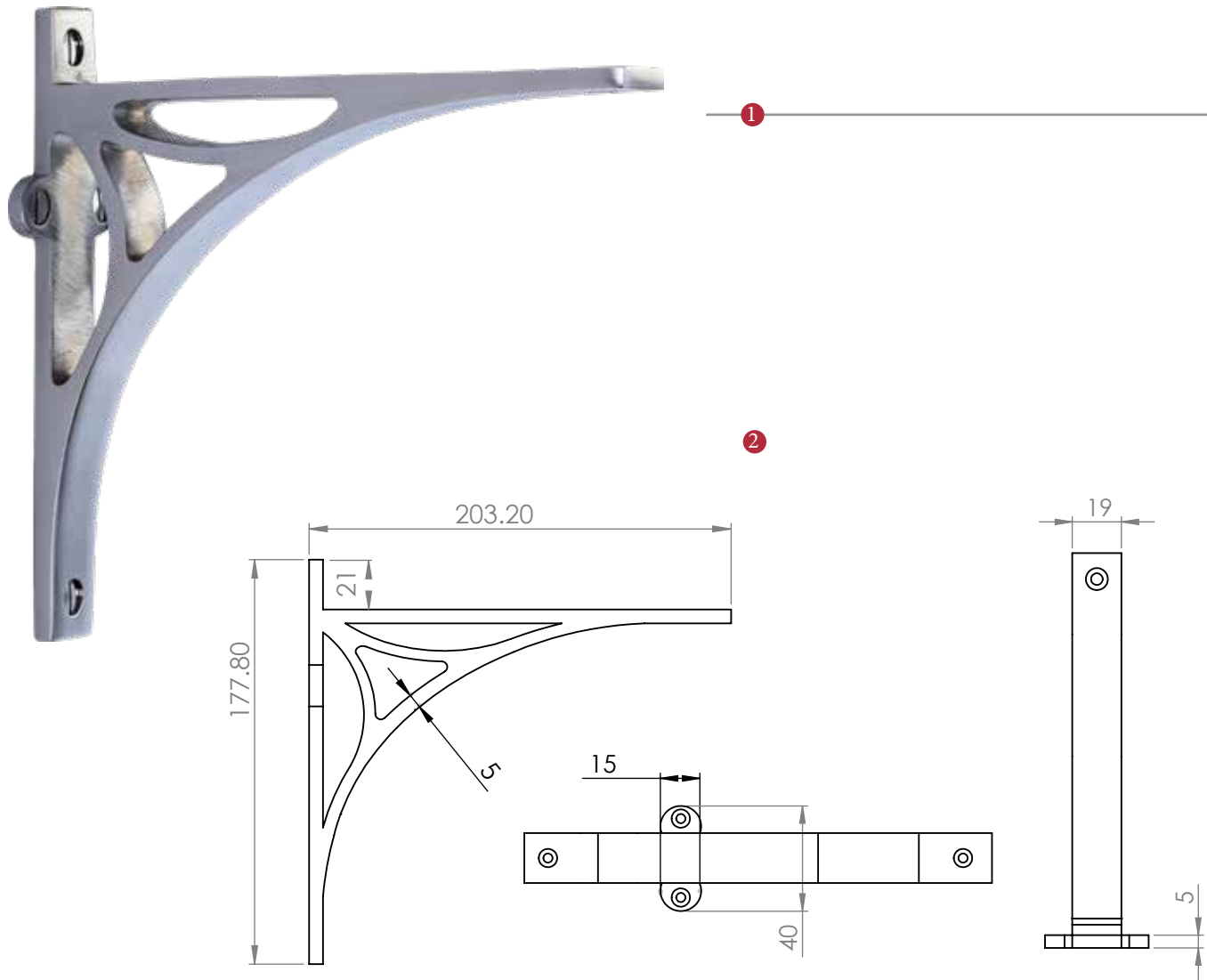




BR2190 8 BRIDGE SHELF BRACKET




② Dimensions:
see the outlines given above

③ 
4 x rawl plugs

 Starter screw x 1pc.
Drill pilot holes, use the starter screw
to cut a thread

 1 x 25mm screw
screw for shelf to bracket fixing

 1 x 30mm screw
screw for shelf to bracket fixing

 4 x 35mm mounting screws
screws for wall mounting

FINISHES

-  Matt Bronze finish
-  Satin Brass finish
-  Satin Nickel finish
-  Antique Brass finish
-  Satin Chrome finish
-  Matt Black finish

Overview

① Bridge Shelf Brackett
illustrated

② General Dimensions of
Bridge Shelf Bracket

③ Supplied: Starter screw & rawl plugs
4 x wall mounting screws
2 x shelf to bracket fixing options


M Marcus Ltd., Dudley

Product Code

BR2190 8

Material

Solid Brass

Sizes shown are in mm and approximate.
We reserve the right to amend where
necessary and without any prior notice.